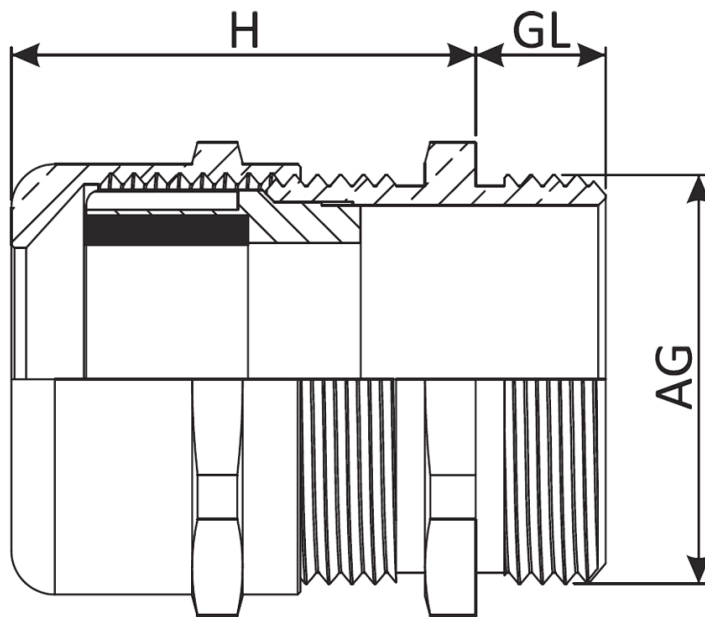


OR-MDLA-PG - Brass cable gland with PG thread, nickel plated



Details:

- Material:
 - Body: brass, nickel plated
 - Clamping insert: PA6 UL94 V-2
 - Sealing ring: TPV
 - O-Ring: NBR
- Thread: PG (DIN 40430)
- Protection class: IP68 (5 bar)
- Temperature range: -40°C to +100°C
- Easy to assemble
- Halogen free

Symbol	PG thread	H	Thread length GL	Wrench size	Cable diameter range	Material
		[mm]	[mm]		[mm]	
OR-MDLA-PG7	PG7	22	6	14	3 - 6.5	brass, nickel plated
OR-MDLA-PG9	PG9	23	6	17	4 - 8	brass, nickel plated
OR-MDLA-PG11	PG11	24.5	6	20	5 - 10	brass, nickel plated
OR-MDLA-PG13.5-RS	PG13.5	26.5	6.5	22	4 - 10	brass, nickel plated
OR-MDLA-PG13.5	PG13.5	26.5	6.5	22	6 - 12	brass, nickel plated
OR-MDLA-PG16	PG16	28	6.5	24	10 - 14	brass, nickel plated
OR-MDLA-PG21	PG21	31.5	7	30	13 - 18	brass, nickel plated
OR-MDLA-PG29	PG29	38	8	40	18 - 25	brass, nickel plated
OR-MDLA-PG36	PG36	43	10	50	22 - 32	brass, nickel plated
OR-MDLA-PG42	PG42	47	12	57	30 - 38	brass, nickel plated
OR-MDLA-PG48	PG48	48	14	64	34 - 44	brass, nickel plated
OR-MDLA-PG7-L	PG7	22	10	14	3 - 6.5	brass, nickel plated
OR-MDLA-PG9-L	PG9	23	10	17	4 - 8	brass, nickel plated
OR-MDLA-PG11-L	PG11	24.5	10	20	5 - 10	brass, nickel plated
OR-MDLA-PG13.5-L-RS	PG13.5	26.5	10	22	4 - 10	brass, nickel plated
OR-MDLA-PG13.5-L	PG13.5	26.5	10	22	6 - 12	brass, nickel plated
OR-MDLA-PG16-L	PG16	28	10	24	10 - 14	brass, nickel plated

Symbol	PG thread	H	Thread length GL	Wrench size	Cable diameter range	Material
		[mm]	[mm]	[mm]	[mm]	
OR-MDLA-PG21-L	PG21	31.5	12	30	13 - 18	brass, nickel plated
OR-MDLA-PG29-L	PG29	38	12	40	18 - 25	brass, nickel plated
OR-MDLA-PG36-L	PG36	43	14	50	22 - 32	brass, nickel plated
OR-MDLA-PG42-L	PG42	47	18	57	30 - 38	brass, nickel plated
OR-MDLA-PG48-L	PG48	48	18	64	34 - 44	brass, nickel plated