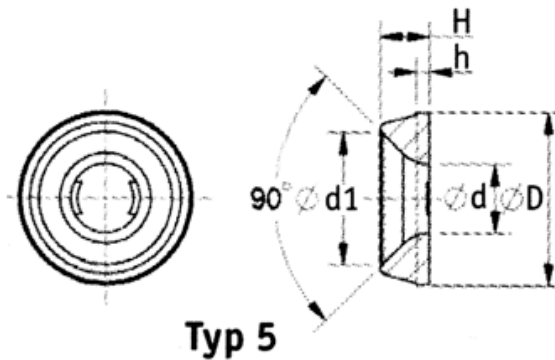
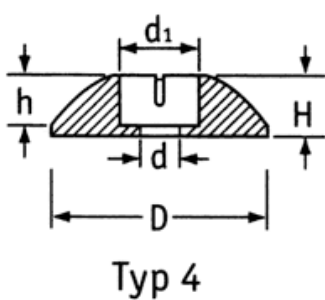


## O-POZD - Finishing washers



### Details:

- **Material: Nylon 6.6**
- **Color: black (-BLK), natural (-NAT)**
- Good insulation properties
- High-quality finish
- Excellent protection against damage

Symbol	Type	For thread	Int. diameter	$d_1$	Ext. diameter	Height	$h$	Material	Color	Standard pack
			$d$	[mm]	[mm]	$D$	[mm]			[mm]
O-POZD-1-M2.5-068-NAT	1	M2.5	2.7	5	6.8	2	-	PA 66	natural	500
O-POZD-1-M2.5-068-BLK	1	M2.5	2.7	5	6.8	2	-	PA 66	black	500
O-POZD-2-M2.5-068-NAT	2	M2.5	2.7	5	6.8	2	1	PA 66	natural	500
O-POZD-2-M2.5-068-BLK	2	M2.5	2.7	5	6.8	2	1	PA 66	black	500
O-POZD-2-M3-065-NAT	2	M3	3.2	5.5	6.5	2	1.1	PA 66	natural	500
O-POZD-2-M3-065-BLK	2	M3	3.2	5.5	6.5	2	1.1	PA 66	black	500
O-POZD-3-M3-140-NAT	3	M3	3.2	7	14	2.9	-	PA 66	natural	500
O-POZD-3-M3-140-BLK	3	M3	3.2	7	14	2.9	-	PA 66	black	500
O-POZD-1-M3-085-NAT	1	M3	3.2	6	8.5	2.2	-	PA 66	natural	500
O-POZD-1-M3-085-BLK	1	M3	3.2	6	8.5	2.2	-	PA 66	black	500
O-POZD-2-M3-085-NAT	2	M3	3.2	6	8.5	2.2	1.2	PA 66	natural	500
O-POZD-2-M3-085-BLK	2	M3	3.2	6	8.5	2.2	1.2	PA 66	black	500
O-POZD-4-M3-140-NAT	4	M3	3.2	5.5	14	2.8	1.7	PA 66	natural	500
O-POZD-4-M3-140-BLK	4	M3	3.2	5.5	14	2.8	1.7	PA 66	black	500
O-POZD-2-M4-085-NAT	2	M4	4.3	7	8.5	2.2	1.2	PA 66	natural	500
O-POZD-2-M4-085-BLK	2	M4	4.3	7	8.5	2.2	1.2	PA 66	black	500
O-POZD-4-M4-160-NAT	4	M4	4.3	7	16	3.5	2.3	PA 66	natural	500
O-POZD-4-M4-160-BLK	4	M4	4.3	7	16	3.5	2.3	PA 66	black	500
O-POZD-1-M4-105-NAT	1	M4	4.3	8	10.5	2.8	-	PA 66	natural	1000
O-POZD-1-M4-105-BLK	1	M4	4.3	8	10.5	2.8	-	PA 66	black	1000

Symbol	Type	For thread	Int. diameter	d <sub>1</sub>	Ext. diameter	Height	h	Material	Color	Standard pack
			[mm]	[mm]	[mm]	[mm]	[mm]			[szt./pcs]
O-POZD-2-M4-105-NAT	2	M4	4.3	8	10.5	2.8	1.7	PA 66	natural	1000
O-POZD-2-M4-105-BLK	2	M4	4.3	8	10.5	2.8	1.7	PA 66	black	1000
O-POZD-3-M4-160-NAT	3	M4	4.3	9	16	3.5	-	PA 66	natural	500
O-POZD-3-M4-160-BLK	3	M4	4.3	9	16	3.5	-	PA 66	black	500
O-POZD-4-M5-180-NAT	4	M5	5.3	8.5	18	4	2.7	PA 66	natural	500
O-POZD-4-M5-180-BLK	4	M5	5.3	8.5	18	4	2.7	PA 66	black	500
O-POZD-1-M5-127-NAT	1	M5	5.3	10	12.7	3.4	-	PA 66	natural	500
O-POZD-1-M5-127-BLK	1	M5	5.3	10	12.7	3.4	-	PA 66	black	500
O-POZD-2-M5-127-NAT	2	M5	5.3	10	12.7	3.4	2.2	PA 66	natural	500
O-POZD-2-M5-127-BLK	2	M5	5.3	10	12.7	3.4	2.2	PA 66	black	500
O-POZD-2-M5-105-NAT	2	M5	5.3	8.5	10.5	2.8	1.6	PA 66	natural	500
O-POZD-2-M5-105-BLK	2	M5	5.3	8.5	10.5	2.8	1.6	PA 66	black	500
O-POZD-3-M5-180-NAT	3	M5	5.3	11	18	3.8	-	PA 66	natural	500
O-POZD-3-M5-180-BLK	3	M5	5.3	11	18	3.8	-	PA 66	black	500
O-POZD-3-M5-180-VR-BLK	3	M5	5.3	14	18	3.5	-	PA 66	black	1000
O-POZD-2-M6-127-NAT	2	M6	6.4	10	12.7	3.4	2.1	PA 66	natural	500
O-POZD-2-M6-127-BLK	2	M6	6.4	10	12.7	3.4	2.1	PA 66	black	500
O-POZD-4-M6-220-NAT	4	M6	6.4	10	22	4.9	3.5	PA 66	natural	500
O-POZD-4-M6-220-BLK	4	M6	6.4	10	22	4.9	3.5	PA 66	black	500
O-POZD-2-M6-150-VR-BLK	2	M6	6.4	12	15	4	1.3	PA 66	black	1000
O-POZD-2-M6-150-2-NAT	2	M6	6.4	12	15	4	2.7	PA 66	natural	500
O-POZD-2-M6-150-BLK	2	M6	6.4	12	15	4	2.7	PA 66	black	500
O-POZD-1-M6-150-NAT	1	M6	6.4	12	15	4	-	PA 66	natural	500
O-POZD-1-M6-150-BLK	1	M6	6.4	12	15	4	-	PA 66	black	500
O-POZD-3-M6-220-NAT	3	M6	6.4	13	22	4.5	-	PA 66	natural	500
O-POZD-3-M6-220-BLK	3	M6	6.4	13	22	4.5	-	PA 66	black	500
O-POZD-2-M8-150-NAT	2	M8	8.4	13	15	4	2.6	PA 66	natural	500
O-POZD-2-M8-150-BLK	2	M8	8.4	13	15	4	2.6	PA 66	black	500
O-POZD-1-M8-200-NAT	1	M8	8.4	16	20	5	-	PA 66	natural	500
O-POZD-1-M8-200-BLK	1	M8	8.4	16	20	5	-	PA 66	black	500
O-POZD-2-M8-200-NAT	2	M8	8.4	16	20	5	3.5	PA 66	natural	500
O-POZD-2-M8-200-BLK	2	M8	8.4	16	20	5	3.5	PA 66	black	500
O-POZD-5-M3-102-NAT	5	M3	3.2	7	10.2	2.8	1	PA 66	natural	500
O-POZD-5-M3-102-BLK	5	M3	3.2	7	10.2	2.8	1	PA 66	black	500
O-POZD-5-M4-120-NAT	5	M4	4.3	9	12	3.2	1	PA 66	natural	500
O-POZD-5-M4-120-BLK	5	M4	4.3	9	12	3.2	1	PA 66	black	500
O-POZD-5-M5-140-NAT	5	M5	5.3	11	14	3.8	1	PA 66	natural	500
O-POZD-5-M5-140-BLK	5	M5	5.3	11	14	3.8	1	PA 66	black	500
O-POZD-5-M6-160-NAT	5	M6	6.4	13	16	4.5	1.2	PA 66	natural	500
O-POZD-5-M6-160-BLK	5	M6	6.4	13	16	4.5	1.2	PA 66	black	500