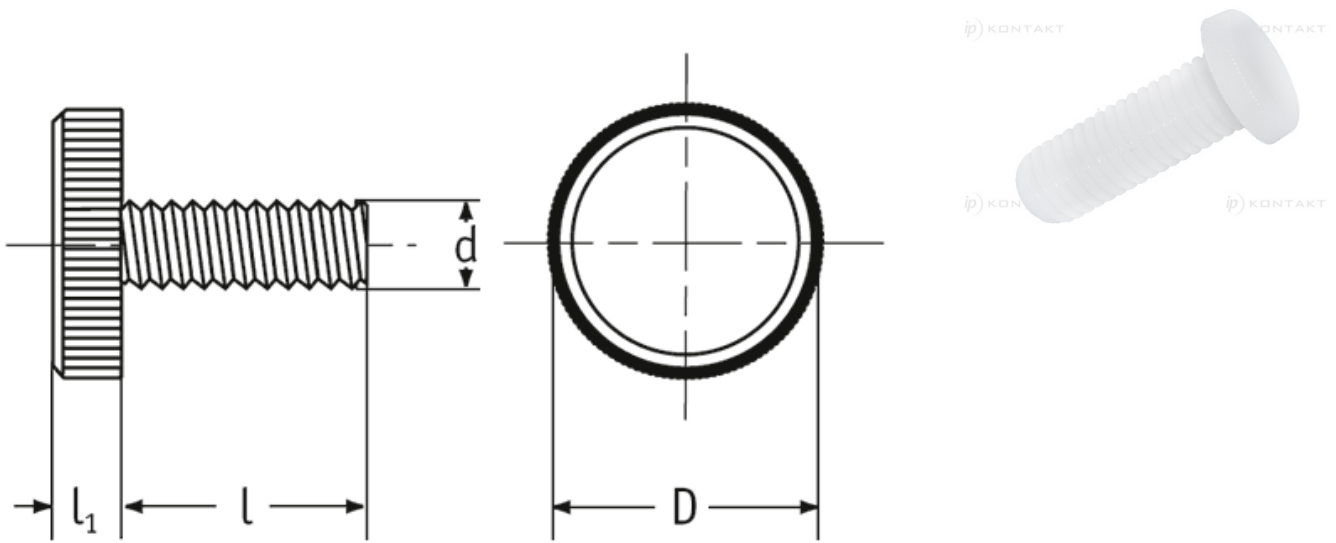


## O-POKP - Thumb screw



### Details:

- **Material: Nylon 6.6**
- **Color: natiral (NAT), black (BLK)**
- Standard pack: see table

Symbol	Thread d	Head diameter D	Thread length l	Head height l <sub>1</sub>	Material	Color	Standard pack
		[mm]	[mm]	[mm]			[szt./pcs]
O-POKP-M4-160-250-BLK	M4	16	25	3.4	PA 66	black	100
O-POKP-M4-160-300-BLK	M4	16	30	3.4	PA 66	black	100
O-POKP-M4-160-400-BLK	M4	16	40	3.4	PA 66	black	100
O-POKP-M4-160-250-NAT	M4	16	25	3.4	PA 66	natural	1000
O-POKP-M4-160-300-NAT	M4	16	30	3.4	PA 66	natural	1000
O-POKP-M4-160-400-NAT	M4	16	40	3.4	PA 66	natural	1000
O-POKP-M4-300-250-NAT	M4	30	25	5	PA 66	natural	1000
O-POKP-M5-160-150-BLK	M5	16	15	3.4	PA 66	black	100
O-POKP-M5-160-200-BLK	M5	16	20	3.4	PA 66	black	100
O-POKP-M5-160-250-BLK	M5	16	25	3.4	PA 66	black	100
O-POKP-M5-160-300-BLK	M5	16	30	3.4	PA 66	black	100
O-POKP-M5-160-400-BLK	M5	16	40	3.4	PA 66	black	100
O-POKP-M5-160-150-NAT	M5	16	15	3.4	PA 66	natural	1000
O-POKP-M5-160-200-NAT	M5	16	20	3.4	PA 66	natural	1000
O-POKP-M5-160-250-NAT	M5	16	25	3.4	PA 66	natural	1000
O-POKP-M5-160-300-NAT	M5	16	30	3.4	PA 66	natural	1000
O-POKP-M5-160-400-NAT	M5	16	40	3.4	PA 66	natural	1000
O-POKP-M5-300-200-NAT	M5	30	20	5	PA 66	natural	1000
O-POKP-M5-300-400-NAT	M5	30	40	5	PA 66	natural	1000
O-POKP-M6-160-065-BLK	M6	16	6.5	3.4	PA 66	black	100
O-POKP-M6-160-080-BLK	M6	16	8	3.4	PA 66	black	100
O-POKP-M6-160-100-BLK	M6	16	10	3.4	PA 66	black	100
O-POKP-M6-160-120-BLK	M6	16	12	3.4	PA 66	black	100
O-POKP-M6-160-160-BLK	M6	16	16	3.4	PA 66	black	100
O-POKP-M6-160-200-BLK	M6	16	20	3.4	PA 66	black	100
O-POKP-M6-160-220-BLK	M6	16	22	3.4	PA 66	black	100

Symbol	Thread d	Head diameter D	Thread length l	Head height l <sub>1</sub>	Material	Color	Standard pack
		[mm]	[mm]	[mm]			[szt./pcs]
O-POKP-M6-160-250-BLK	M6	16	25	3.4	PA 66	black	100
O-POKP-M6-160-300-BLK	M6	16	30	3.4	PA 66	black	100
O-POKP-M6-160-065-NAT	M6	16	6.5	3.4	PA 66	natural	1000
O-POKP-M6-160-080-NAT	M6	16	8	3.4	PA 66	natural	1000
O-POKP-M6-160-100-NAT	M6	16	10	3.4	PA 66	natural	1000
O-POKP-M6-160-120-NAT	M6	16	12	3.4	PA 66	natural	1000
O-POKP-M6-160-160-NAT	M6	16	16	3.4	PA 66	natural	1000
O-POKP-M6-160-200-NAT	M6	16	20	3.4	PA 66	natural	1000
O-POKP-M6-160-220-NAT	M6	16	22	3.4	PA 66	natural	1000
O-POKP-M6-160-250-NAT	M6	16	25	3.4	PA 66	natural	1000
O-POKP-M6-160-300-NAT	M6	16	30	3.4	PA 66	natural	1000
O-POKP-M6-300-080-NAT	M6	30	8	5	PA 66	natural	1000
O-POKP-M6-300-100-NAT	M6	30	10	5	PA 66	natural	1000
O-POKP-M6-300-120-NAT	M6	30	12	5	PA 66	natural	1000
O-POKP-M6-300-160-NAT	M6	30	16	5	PA 66	natural	1000
O-POKP-M6-300-220-NAT	M6	30	22	5	PA 66	natural	1000
O-POKP-M6-300-250-NAT	M6	30	25	5	PA 66	natural	1000
O-POKP-M6-300-300-NAT	M6	30	30	5	PA 66	natural	1000
O-POKP-M8-160-100-NAT	M8	16	10	3.4	PA 66	natural	1000
O-POKP-M8-160-160-NAT	M8	16	16	3.4	PA 66	natural	1000
O-POKP-M8-160-200-NAT	M8	16	20	3.4	PA 66	natural	1000
O-POKP-M8-160-250-NAT	M8	16	25	3.4	PA 66	natural	1000
O-POKP-M8-160-300-NAT	M8	16	30	3.4	PA 66	natural	1000
O-POKP-M8-160-350-NAT	M8	16	35	3.4	PA 66	natural	1000
O-POKP-M8-300-100-NAT	M8	30	10	5	PA 66	natural	1000
O-POKP-M8-300-160-NAT	M8	30	16	5	PA 66	natural	1000
O-POKP-M8-300-200-NAT	M8	30	20	5	PA 66	natural	1000
O-POKP-M8-300-250-NAT	M8	30	25	5	PA 66	natural	1000
O-POKP-M8-300-300-NAT	M8	30	30	5	PA 66	natural	1000
O-POKP-M8-300-350-NAT	M8	30	35	5	PA 66	natural	1000
O-POKP-M10-160-160-NAT	M10	16	16	3.4	PA 66	natural	500
O-POKP-M10-160-200-NAT	M10	16	20	3.4	PA 66	natural	500
O-POKP-M10-160-300-NAT	M10	16	30	3.4	PA 66	natural	500
O-POKP-M10-300-160-NAT	M10	30	16	5	PA 66	natural	500
O-POKP-M10-300-200-NAT	M10	30	20	5	PA 66	natural	1000
O-POKP-M10-300-300-NAT	M10	30	30	5	PA 66	natural	1000