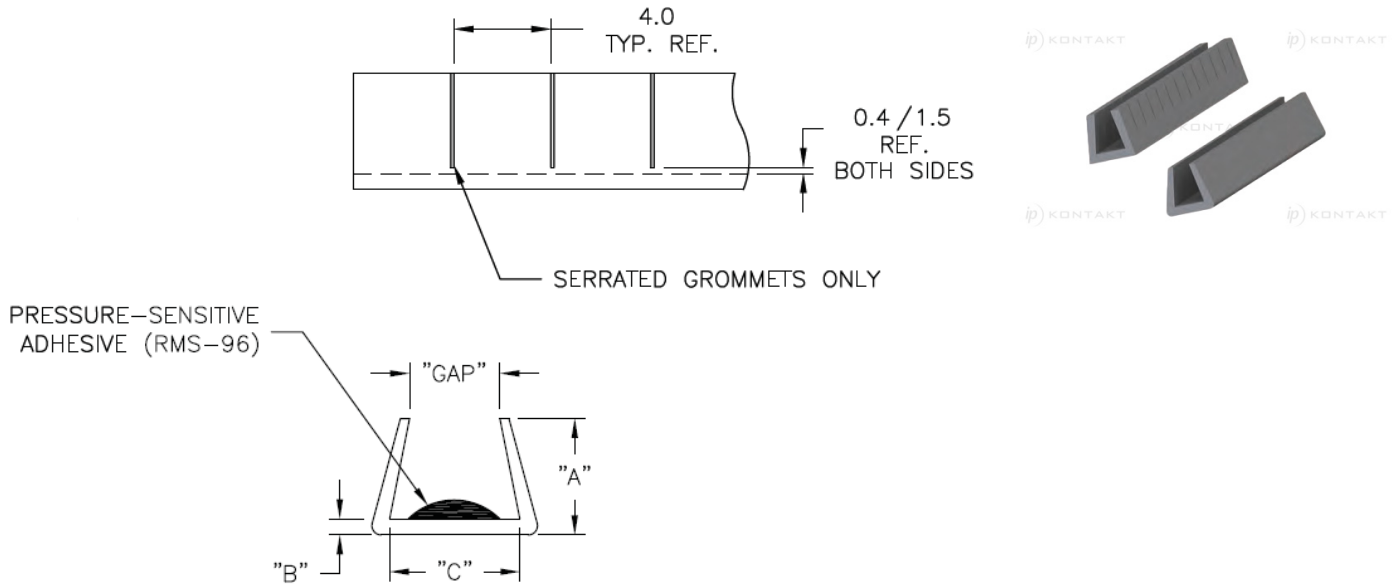


## NGSG - Continuous Grommet Strip with Adhesive



**Details:**

- **Material:** see table
- **Adhesive:** RMS-96\*
- **Color:** natural, black
- **Standard Pack:** 30m Roll
- **Type 1 - Solid Lengths**
- **Type 2 - Serrated Lengths**

Symbol	Type	Panel thickness range	GAP	A	B	C	Material	Flammability	Color
		[mm]							
NGSG-2	1	0.9 - 1.8	0.9	4.4	0.8	2.8	PA 6	UL94 HB	natural
SNGSG-2	2	0.9 - 1.8	0.9	4.4	0.8	2.8	PA 6	UL94 HB	natural
SNGSG-2B	2	0.9 - 1.8	0.9	4.4	0.8	2.8	PA 6	UL94 HB	black
NGSG-2.5	1	1.8 - 2.7	1.5	4.4	0.8	2.8	PA 6	UL94 HB	natural
SNGSG-2.5	2	1.8 - 2.7	1.5	4.4	0.8	2.8	PA 6	UL94 HB	natural
NGSG-3	1	2.7 - 4.2	2.7	4.8	1.2	4	PA 6	UL94 HB	natural
SNGSG-3	2	2.7 - 4.2	2.7	4.8	1.2	4	PA 6	UL94 HB	natural
PGSG-2	1	0.9 - 1.8	0.9	4.4	0.8	2.8	LDPE	-	natural
SPGSG-2	2	0.9 - 1.8	0.9	4.4	0.8	2.8	LDPE	-	natural
PGSG-2B	1	0.9 - 1.8	0.9	4.4	0.8	2.8	LDPE	-	black
SPGSG-2B	2	0.9 - 1.8	0.9	4.4	0.8	2.8	LDPE	-	black
PGSG-6*	1	0.9 - 1.8	0.9	4.1	0.6	1.5	LDPE	-	natural
SPGSG-6*	2	0.9 - 1.8	0.9	4.1	0.6	1.5	LDPE	-	natural
PGSG-6B*	1	0.9 - 1.8	0.9	4.1	0.6	1.5	LDPE	-	black
PGSG-2.5	1	1.8 - 2.7	1.5	4.4	0.8	2.8	LDPE	-	natural
SPGSG-2.5	2	1.8 - 2.7	1.5	4.4	0.8	2.8	LDPE	-	natural
PGSG-2.5B	1	1.8 - 2.7	1.5	4.4	0.8	2.8	LDPE	-	black
SPGSG-2.5B	2	1.8 - 2.7	1.5	4.4	0.8	2.8	LDPE	-	black
SPGSG-7*	2	1.8 - 2.7	1.5	4.8	0.9	2.5	LDPE	-	natural
PGSG-3	1	2.6 - 4.2	2.7	4.8	1.2	4	LDPE	-	natural
SPGSG-3	2	2.6 - 4.2	2.7	4.8	1.2	4	LDPE	-	natural
PGSG-3B	1	2.6 - 4.2	2.7	4.8	1.2	4	LDPE	-	black
SPGSG-3B	2	2.6 - 4.2	2.7	4.8	1.2	4	LDPE	-	black

Symbol	Type	Panel thickness range	GAP	A	B	C	Material	Flammability	Color
		[mm]	[mm]	[mm]	[mm]	[mm]			
SPGSG-8*	2	2.6 - 4.2	2.7	4.8	0.9	4	LDPE	-	natural

\* - zwiększona elastyczność