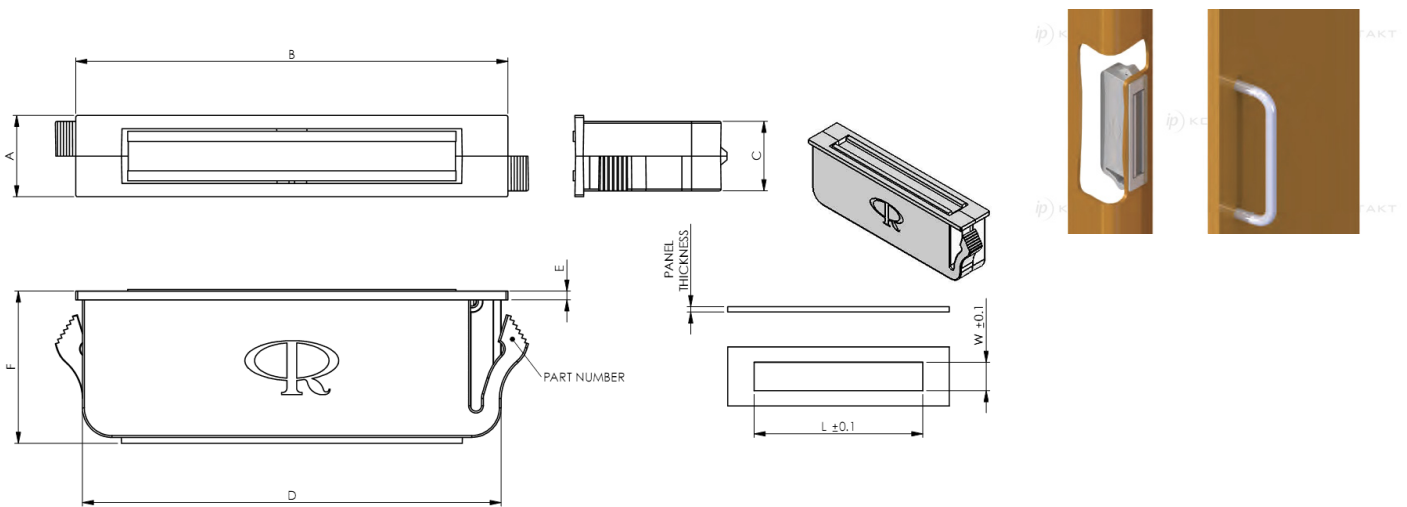


ML - Magnetic Latch



Details:

- **Material: Polypropylene, RMS-150***
- **Color: white, black**
- **Standard Pack: 10/bag**

Symbol	A	B	C	D	E	F	G	H	Panel thickness range	L	W	Color
	[mm]	[mm]	[mm]	[mm]	[mm]	[mm]	[mm]	[mm]		[mm]	[mm]	
ML-S-1	7.7	23.6	6	21.8	0.8	27	0.5	13.3	0.5 - 2.0	22.2	6.4	white
ML-S-1BK	7.7	23.6	6	21.8	0.8	27	0.5	13.3	0.5 - 2.0	22.2	6.4	black
ML-S-2	7.7	23.6	6	21.8	0.8	27	2	13.3	2.0 - 3.5	22.2	6.4	white
ML-S-2BK	7.7	23.6	6	21.8	0.8	27	2	13.3	2.0 - 3.5	22.2	6.4	black
ML-M-1	9.5	39.7	7.7	37.7	0.8	45.5	0.5	25.4	0.5 - 2.0	38.1	8.1	white
ML-M-1BK	9.5	39.7	7.7	37.7	0.8	45.5	0.5	25.4	0.5 - 2.0	38.1	8.1	black
ML-M-2	9.5	39.7	7.7	37.7	0.8	45.5	2	25.4	2.0 - 3.5	38.1	8.1	white
ML-M-2BK	9.5	39.7	7.7	37.7	0.8	45.5	2	25.4	2.0 - 3.5	38.1	8.1	black
ML-M-3	9.5	39.7	7.7	37.7	0.8	45.5	3.5	25.4	3.5 - 5.0	38.1	8.1	white
ML-M-3BK	9.5	39.7	7.7	37.7	0.8	45.5	3.5	25.4	3.5 - 5.0	38.1	8.1	black
ML-L-1	11	58.5	9.2	56.7	1.2	64	0.5	20.6	0.5 - 2.0	57.1	9.6	white
ML-L-1BK	11	58.5	9.2	56.7	1.2	64	0.5	20.6	0.5 - 2.0	57.1	9.6	black
ML-L-2	11	58.5	9.2	56.7	1.2	64	2	20.6	2.0 - 3.5	57.1	9.6	white
ML-L-2BK	11	58.5	9.2	56.7	1.2	64	2	20.6	2.0 - 3.5	57.1	9.6	black
ML-L-3	11	58.5	9.2	56.7	1.2	64	3.5	20.6	3.5 - 5.0	57.1	9.6	white
ML-L-3BK	11	58.5	9.2	56.7	1.2	64	3.5	20.6	3.5 - 5.0	57.1	9.6	black