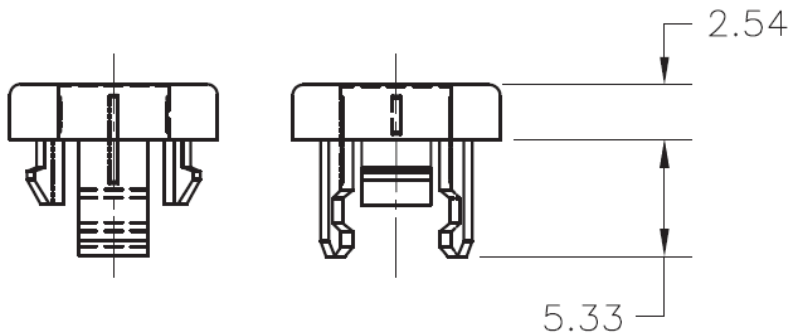
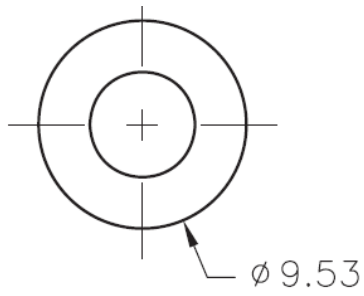


LEDHPM-1 - LED Holder; Panel Mount



Details:

- **Material:** UL94 V2 Nylon 6/6, RMS-01*
- **Color:** Natural
- **Standard Pack:** 1000/Bag

Symbol	Mounting hole diameter range	Panel thickness range	LED type	Material	Flammability	Color
	[mm]	[mm]				
LEDHPM-1	7.14 - 7.29	1.12 - 1.22	T-1 3/4	PA 66	UL94 V-2	natural