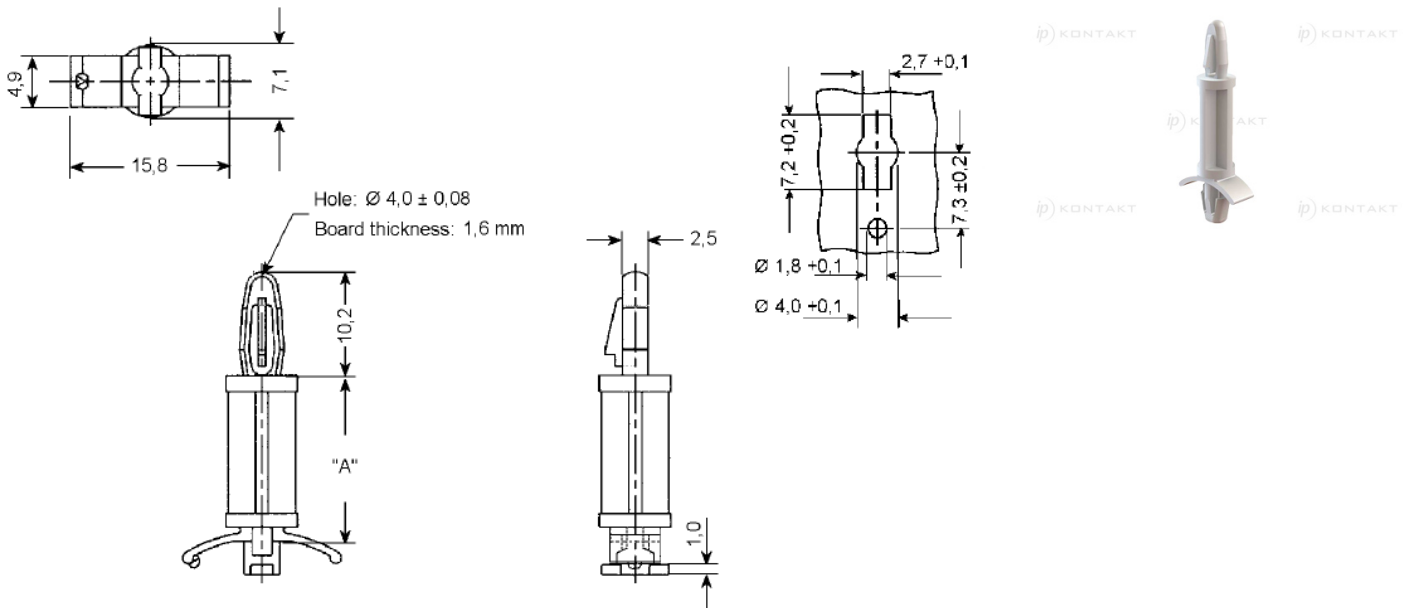


## LCBS-9 - Locking Circuit Board Support



### Details:

- **Material:** Nylon 6/6, UL94 V-2, RMS-01\* or Nylon 6/6, UL94 V-0, RMS-19\*
- **Kolor:** natural
- Standard pack: 1000 pcs

\* see specs

Symbol	Height A	Top mounting hole dia. ±0.08	Top panel thickness	Bottom panel thickness range	Material	Flammability	Color
	[mm]	[mm]	[mm]	[mm]			
LCBS-9-3-01	4.8	4	1.6	0.8 - 1.6	PA 66	UL94 V-2	natural
LCBS-9-3-19	4.8	4	1.6	0.8 - 1.6	PA 66	UL94 V-0	natural
LCBS-9-4-01	6.4	4	1.6	0.8 - 1.6	PA 66	UL94 V-2	natural
LCBS-9-4-19	6.4	4	1.6	0.8 - 1.6	PA 66	UL94 V-0	natural
LCBS-9-5-01	7.9	4	1.6	0.8 - 1.6	PA 66	UL94 V-2	natural
LCBS-9-5-19	7.9	4	1.6	0.8 - 1.6	PA 66	UL94 V-0	natural
LCBS-9-6-01	9.5	4	1.6	0.8 - 1.6	PA 66	UL94 V-2	natural
LCBS-9-6-19	9.5	4	1.6	0.8 - 1.6	PA 66	UL94 V-0	natural
LCBS-9-7-01	11.1	4	1.6	0.8 - 1.6	PA 66	UL94 V-2	natural
LCBS-9-7-19	11.1	4	1.6	0.8 - 1.6	PA 66	UL94 V-0	natural
LCBS-9-8-01	12.7	4	1.6	0.8 - 1.6	PA 66	UL94 V-2	natural
LCBS-9-8-19	12.7	4	1.6	0.8 - 1.6	PA 66	UL94 V-0	natural
LCBS-9-10-01	15.9	4	1.6	0.8 - 1.6	PA 66	UL94 V-2	natural
LCBS-9-10-19	15.9	4	1.6	0.8 - 1.6	PA 66	UL94 V-0	natural
LCBS-9-12-01	19.1	4	1.6	0.8 - 1.6	PA 66	UL94 V-2	natural
LCBS-9-12-19	19.1	4	1.6	0.8 - 1.6	PA 66	UL94 V-0	natural
LCBS-9-14-01	22.2	4	1.6	0.8 - 1.6	PA 66	UL94 V-2	natural
LCBS-9-14-19	22.2	4	1.6	0.8 - 1.6	PA 66	UL94 V-0	natural
LCBS-9-16-01	25.4	4	1.6	0.8 - 1.6	PA 66	UL94 V-2	natural
LCBS-9-16-19	25.4	4	1.6	0.8 - 1.6	PA 66	UL94 V-0	natural
LCBS-9-18-01	28.6	4	1.6	0.8 - 1.6	PA 66	UL94 V-2	natural
LCBS-9-18-19	28.6	4	1.6	0.8 - 1.6	PA 66	UL94 V-0	natural
LCBS-9-20-01	31.7	4	1.6	0.8 - 1.6	PA 66	UL94 V-2	natural

Symbol	Height A	Top mounting hole dia. $\pm 0.08$	Top panel thickness	Bottom panel thickness range	Material	Flammability	Color
	[mm]	[mm]	[mm]	[mm]			
LCBS-9-20-19	31.7	4	1.6	0.8 - 1.6	PA 66	UL94 V-0	natural
LCBS-9-22-01	34.9	4	1.6	0.8 - 1.6	PA 66	UL94 V-2	natural
LCBS-9-22-19	34.9	4	1.6	0.8 - 1.6	PA 66	UL94 V-0	natural