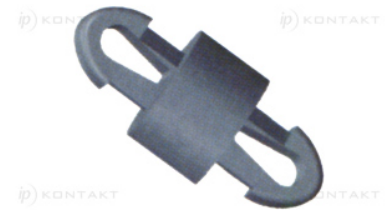
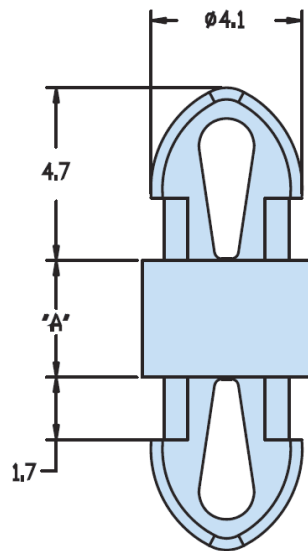


H-HSP-MDL-2 - Nylon PCB Supports



Details:

- **Material: Nylon 6/6 UL94 V-2**
- **UL94 V-0 available on special order**
- **Temperature Range: -40°C to 85°C**
- Dimension A = height
- Dimensions: ± 0.1 mm

Symbol	Height A	Top mounting hole dia.	Top panel thickness	Bottom mounting hole dia.	Bottom panel thickness	Material	Flammability	Color
	[mm]	[mm]	[mm]	[mm]	[mm]			
H-10461	2	3.5	1.6	3.5	1.6	PA 66	UL94 V-2	natural
H-10462	3	3.5	1.6	3.5	1.6	PA 66	UL94 V-2	natural
H-10463	4	3.5	1.6	3.5	1.6	PA 66	UL94 V-2	natural
H-10464	5	3.5	1.6	3.5	1.6	PA 66	UL94 V-2	natural
H-10465	6	3.5	1.6	3.5	1.6	PA 66	UL94 V-2	natural
H-10466	7	3.5	1.6	3.5	1.6	PA 66	UL94 V-2	natural
H-10467	8	3.5	1.6	3.5	1.6	PA 66	UL94 V-2	natural
H-10468	9	3.5	1.6	3.5	1.6	PA 66	UL94 V-2	natural
H-10469	10	3.5	1.6	3.5	1.6	PA 66	UL94 V-2	natural
H-10470	12	3.5	1.6	3.5	1.6	PA 66	UL94 V-2	natural
H-10471	14	3.5	1.6	3.5	1.6	PA 66	UL94 V-2	natural
H-10472	16	3.5	1.6	3.5	1.6	PA 66	UL94 V-2	natural
H-10473	18	3.5	1.6	3.5	1.6	PA 66	UL94 V-2	natural
H-10474	20	3.5	1.6	3.5	1.6	PA 66	UL94 V-2	natural
H-10475	22	3.5	1.6	3.5	1.6	PA 66	UL94 V-2	natural
H-10476	26.5	3.5	1.6	3.5	1.6	PA 66	UL94 V-2	natural