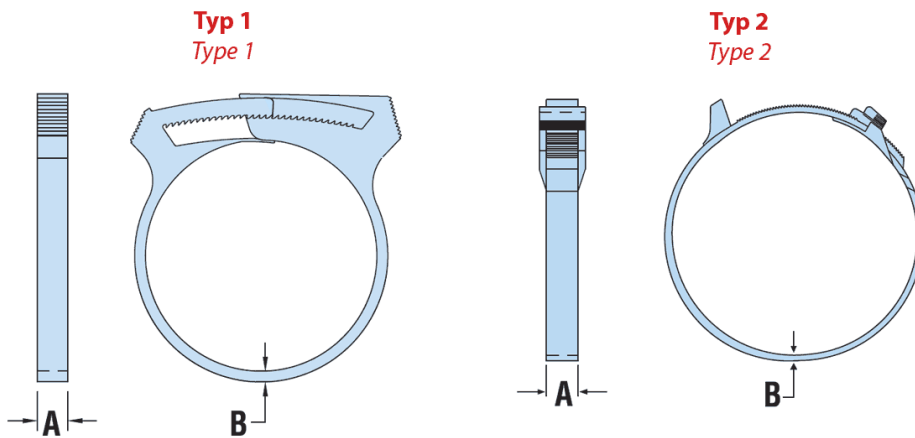


## H-HC - Nylon Hose Clamp



### Details:

- **Material:** Nylon 6/6 UL94 V-2 or Nylon 6/6 glass-filled UL94 HB
- **Colour:** black (BLK), white (WH)
- Quick and easy installation. Tighten instantly with hand pliers or Air Tools
- Reusable. Can be removed without cutting.
- Glass-filled nylon clamps offer additional clamping strength.
- Lightweight yet resist corrosion, salt water, weak acids, grease, and common solvents.

Symbol	Minimum diameter	Maximum diameter	A	B	Type	Material	Flammability	Color
	[mm]	[mm]	[mm]	[mm]				
H-2306	8.7	10.3	5.3	1.8	1	PA 66	UL94 V-2	black
H-2310	10.3	11.9	5.3	1.8	1	PA 66	UL94 V-2	black
H-2314	11.9	13.5	5.3	1.8	1	PA 66	UL94 V-2	black
H-2318	13.5	15.1	5.3	1.8	1	PA 66	UL94 V-2	black
H-2322	15.1	16.7	5.3	1.8	1	PA 66	UL94 V-2	black
H-2326	17.1	20.6	5.3	1.8	1	PA 66	UL94 V-2	black
H-2330	19.1	22.2	5.3	1.8	1	PA 66	UL94 V-2	black
H-2334	22.2	25.4	5.3	1.8	1	PA 66	UL94 V-2	black
H-2338	24.1	26.2	7.9	1.8	1	PA 66	UL94 V-2	black
H-2342	26.2	30.2	7.9	1.8	1	PA 66	UL94 V-2	black
H-2346	31.8	36.5	7.9	1.8	1	PA 66	UL94 V-2	black
H-2350	35.7	41.3	9.1	1.8	1	PA 66	UL94 V-2	black
H-2354	40.4	46	9.1	1.8	1	PA 66	UL94 V-2	black
H-2358	42.9	48.4	9.1	1.8	1	PA 66	UL94 V-2	black
H-2362	47.6	54	10.2	1.8	1	PA 66	UL94 V-2	black
H-2366	54	60.3	10.2	1.8	1	PA 66	UL94 V-2	black
H-2307	8.7	10.3	5.3	1.8	1	PA 66	UL94 V-2	white
H-2311	10.3	11.9	5.3	1.8	1	PA 66	UL94 V-2	white
H-2315	11.9	13.5	5.3	1.8	1	PA 66	UL94 V-2	white
H-2319	13.5	15.1	5.3	1.8	1	PA 66	UL94 V-2	white
H-2323	15.1	16.7	5.3	1.8	1	PA 66	UL94 V-2	white
H-2327	17.1	20.6	5.3	1.8	1	PA 66	UL94 V-2	white

Symbol	Minimum diameter	Maximum diameter	A	B	Type	Material	Flammability	Color
	[mm]	[mm]	[mm]	[mm]				
H-2331	19.1	22.2	5.3	1.8	1	PA 66	UL94 V-2	white
H-2335	22.2	25.4	5.3	1.8	1	PA 66	UL94 V-2	white
H-2339	24.1	26.2	7.9	1.8	1	PA 66	UL94 V-2	white
H-2343	26.2	30.2	7.9	1.8	1	PA 66	UL94 V-2	white
H-2347	31.8	36.5	7.9	1.8	1	PA 66	UL94 V-2	white
H-2351	35.7	41.3	9.1	1.8	1	PA 66	UL94 V-2	white
H-2355	40.4	46	9.1	1.8	1	PA 66	UL94 V-2	white
H-2359	42.9	48.4	9.1	1.8	1	PA 66	UL94 V-2	white
H-2363	47.6	54	10.2	1.8	1	PA 66	UL94 V-2	white
H-2367	54	60.3	10.2	1.8	1	PA 66	UL94 V-2	white
H-2302	6.4	7.9	3.2	1	1	PA 66 + GF	UL94 HB	black
H-2308	8.7	10.3	5.3	1.8	1	PA 66 + GF	UL94 HB	black
H-2312	10.3	11.9	5.3	1.8	1	PA 66 + GF	UL94 HB	black
H-2316	11.9	13.5	5.3	1.8	1	PA 66 + GF	UL94 HB	black
H-2320	13.5	15.1	5.3	1.8	1	PA 66 + GF	UL94 HB	black
H-2324	15.1	16.7	5.3	1.8	1	PA 66 + GF	UL94 HB	black
H-2328	17.1	20.6	5.3	1.8	1	PA 66 + GF	UL94 HB	black
H-2332	19.1	22.2	5.3	1.8	1	PA 66 + GF	UL94 HB	black
H-2336	22.2	25.4	5.3	1.8	1	PA 66 + GF	UL94 HB	black
H-2340	24.1	26.2	7.9	1.8	1	PA 66 + GF	UL94 HB	black
H-2344	26.2	30.2	7.9	1.8	1	PA 66 + GF	UL94 HB	black
H-2348	31.8	36.5	7.9	1.8	1	PA 66 + GF	UL94 HB	black
H-2352	35.7	41.3	9.1	1.8	1	PA 66 + GF	UL94 HB	black
H-2356	40.4	46	9.1	1.8	1	PA 66 + GF	UL94 HB	black
H-2360	42.9	48.4	9.1	1.8	1	PA 66 + GF	UL94 HB	black
H-2364	47.6	54	10.2	1.8	1	PA 66 + GF	UL94 HB	black
H-2368	54	60.3	10.2	1.8	1	PA 66 + GF	UL94 HB	black
H-2377	57.1	73	11.2	2	2	PA 66 + GF	UL94 HB	black
H-2380	69.8	92.1	11.2	2	2	PA 66 + GF	UL94 HB	black
H-2383	88.9	108	11.2	2	2	PA 66 + GF	UL94 HB	black
H-2386	101.6	127	11.2	2	2	PA 66 + GF	UL94 HB	black