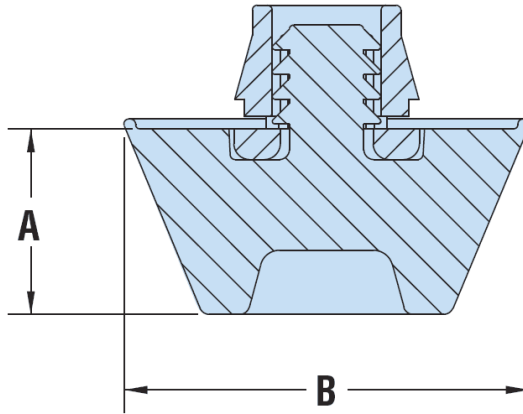


H-FSSI - Feet with Snap-In Locking Fingers



Details:

- **Material:** EPDM Rubber insert, Nylon 6/6 body UL94 HB
- **Colour:** black
- **Temperature Range:** -40°C to 105°C

Symbol	Ext. diameter ØA	B	Mounting hole diameter	Panel thickness range	Material	Color
	[mm]	[mm]	[mm]	[mm]		
H-G3016	4.7	20.6	7.9	0.8 - 1.6	EPDM	black
H-G3017	6.3	20.6	7.9	0.8 - 1.6	EPDM	black
H-G3018	9.5	20.6	7.9	0.8 - 1.6	EPDM	black