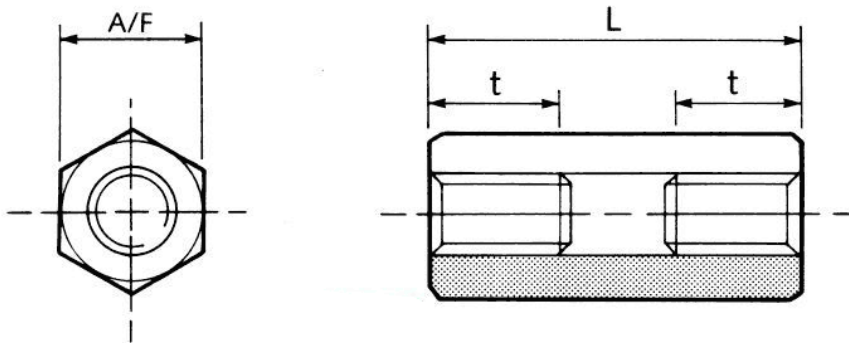


GH-1 - Metric Hex Low Voltage Insulators



Details:

- **Body material: Nylon 66**
- **Flammability: UL94 HB**
- **Colour: Natural**
- **Threaded insert material: brass**
- Standard Pack: 100/Bag

Symbol	Int. thread	Wrench size A/F	Int. thread length t	Length L	Material
		[mm]	[mm]	[mm]	
GH-M2-6.35-15-1	M2	6.35	6	15	PA 66, brass
GH-M2-6.35-20-1	M2	6.35	6	20	PA 66, brass
GH-M2-6.35-25-1	M2	6.35	6	25	PA 66, brass
GH-M2-6.35-30-1	M2	6.35	6	30	PA 66, brass
GH-M2-6.35-35-1	M2	6.35	6	35	PA 66, brass
GH-M2-6.35-40-1	M2	6.35	6	40	PA 66, brass
GH-M2-6.35-45-1	M2	6.35	6	45	PA 66, brass
GH-M2-6.35-50-1	M2	6.35	6	50	PA 66, brass
GH-M2.5-6.35-15-1	M2.5	6.35	6	15	PA 66, brass
GH-M2.5-6.35-20-1	M2.5	6.35	6	20	PA 66, brass
GH-M2.5-6.35-25-1	M2.5	6.35	6	25	PA 66, brass
GH-M2.5-6.35-30-1	M2.5	6.35	6	30	PA 66, brass
GH-M2.5-6.35-35-1	M2.5	6.35	6	35	PA 66, brass
GH-M2.5-6.35-40-1	M2.5	6.35	6	40	PA 66, brass
GH-M2.5-6.35-45-1	M2.5	6.35	6	45	PA 66, brass
GH-M2.5-6.35-50-1	M2.5	6.35	6	50	PA 66, brass
GH-M3-6.35-15-1	M3	6.35	6	15	PA 66, brass
GH-M3-6.35-20-1	M3	6.35	6	20	PA 66, brass
GH-M3-6.35-25-1	M3	6.35	6	25	PA 66, brass

Symbol	Int. thread	Wrench size A/F	Int. thread length t	Length L	Material
		[mm]	[mm]	[mm]	
GH-M3-6.35-30-1	M3	6.35	6	30	PA 66, brass
GH-M3-6.35-35-1	M3	6.35	6	35	PA 66, brass
GH-M3-6.35-40-1	M3	6.35	6	40	PA 66, brass
GH-M3-6.35-45-1	M3	6.35	6	45	PA 66, brass
GH-M3-6.35-50-1	M3	6.35	6	50	PA 66, brass
GH-M3.5-8-15-1	M3.5	8	6	15	PA 66, brass
GH-M3.5-8-20-1	M3.5	8	6	20	PA 66, brass
GH-M3.5-8-25-1	M3.5	8	6	25	PA 66, brass
GH-M3.5-8-30-1	M3.5	8	6	30	PA 66, brass
GH-M3.5-8-35-1	M3.5	8	6	35	PA 66, brass
GH-M3.5-8-40-1	M3.5	8	6	40	PA 66, brass
GH-M3.5-8-45-1	M3.5	8	6	45	PA 66, brass
GH-M3.5-8-50-1	M3.5	8	6	50	PA 66, brass
GH-M3.5-8-55-1	M3.5	8	6	55	PA 66, brass
GH-M3.5-8-60-1	M3.5	8	6	60	PA 66, brass
GH-M3.5-8-65-1	M3.5	8	6	65	PA 66, brass
GH-M3.5-8-90-1	M3.5	8	6	90	PA 66, brass
GH-M3.5-8-75-1	M3.5	8	6	75	PA 66, brass
GH-M4-8-15-1	M4	8	6	15	PA 66, brass
GH-M4-8-20-1	M4	8	6	20	PA 66, brass
GH-M4-8-25-1	M4	8	6	25	PA 66, brass
GH-M4-8-30-1	M4	8	6	30	PA 66, brass
GH-M4-8-35-1	M4	8	6	35	PA 66, brass
GH-M4-8-40-1	M4	8	6	40	PA 66, brass
GH-M4-8-45-1	M4	8	6	45	PA 66, brass
GH-M4-8-50-1	M4	8	6	50	PA 66, brass
GH-M4-8-55-1	M4	8	6	55	PA 66, brass
GH-M4-8-60-1	M4	8	6	60	PA 66, brass
GH-M4-8-65-1	M4	8	6	65	PA 66, brass
GH-M4-8-90-1	M4	8	6	90	PA 66, brass
GH-M4-8-75-1	M4	8	6	75	PA 66, brass
GH-M5-9.5-15-1	M5	9.5	10	15	PA 66, brass
GH-M5-9.5-20-1	M5	9.5	10	20	PA 66, brass
GH-M5-9.5-25-1	M5	9.5	10	25	PA 66, brass
GH-M5-9.5-30-1	M5	9.5	10	30	PA 66, brass
GH-M5-9.5-35-1	M5	9.5	10	35	PA 66, brass
GH-M5-9.5-40-1	M5	9.5	10	40	PA 66, brass
GH-M5-9.5-45-1	M5	9.5	10	45	PA 66, brass
GH-M5-9.5-50-1	M5	9.5	10	50	PA 66, brass
GH-M5-9.5-55-1	M5	9.5	10	55	PA 66, brass
GH-M5-9.5-60-1	M5	9.5	10	60	PA 66, brass
GH-M5-9.5-65-1	M5	9.5	10	65	PA 66, brass
GH-M5-9.5-90-1	M5	9.5	10	90	PA 66, brass
GH-M5-9.5-75-1	M5	9.5	10	75	PA 66, brass
GH-M6-12.7-15-1	M6	12.7	12.7	15	PA 66, brass
GH-M6-12.7-20-1	M6	12.7	12.7	20	PA 66, brass
GH-M6-12.7-25-1	M6	12.7	12.7	25	PA 66, brass
GH-M6-12.7-30-1	M6	12.7	12.7	30	PA 66, brass
GH-M6-12.7-35-1	M6	12.7	12.7	35	PA 66, brass
GH-M6-12.7-40-1	M6	12.7	12.7	40	PA 66, brass
GH-M6-12.7-45-1	M6	12.7	12.7	45	PA 66, brass
GH-M6-12.7-50-1	M6	12.7	12.7	50	PA 66, brass
GH-M6-12.7-55-1	M6	12.7	12.7	55	PA 66, brass
GH-M6-12.7-60-1	M6	12.7	12.7	60	PA 66, brass

Symbol	Int. thread	Wrench size A/F	Int. thread length t	Length L	Material
		[mm]	[mm]	[mm]	
GH-M6-12.7-65-1	M6	12.7	12.7	65	PA 66, brass
GH-M6-12.7-90-1	M6	12.7	12.7	90	PA 66, brass
GH-M6-12.7-75-1	M6	12.7	12.7	75	PA 66, brass