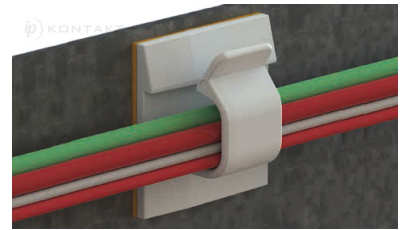
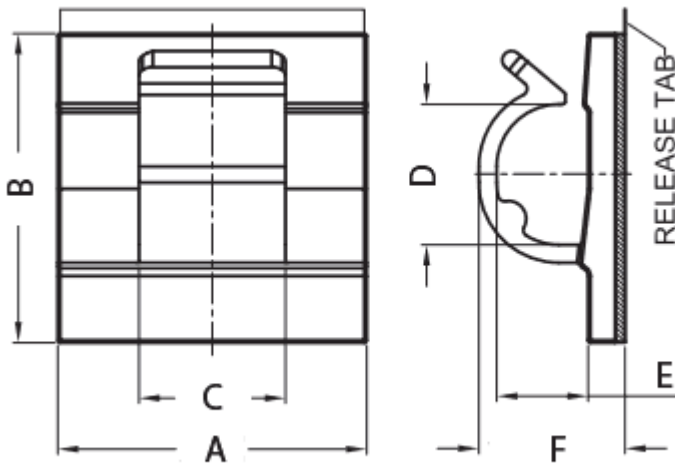


GE-ACH - Adhesive cable holders



Details:

- **Material: Nylon 66**
- **Flammability: UL94 V-2**
- **Colour: natural**

Symbol	A	B	C	D	E	F	Material	Flammability	Color
	[mm]	[mm]	[mm]	[mm]	[mm]	[mm]			
GE-ACH-4	16	14.4	7.1	8.2	5.2	8.8	PA 66	UL94 V-2	natural
GE-ACH-5	16	16.8	7	10.2	6.7	9.5	PA 66	UL94 V-2	natural
GE-ACH-6	19	19	9.7	12.5	8.1	11	PA 66	UL94 V-2	natural
GE-ACH-7	19	19	9	13.6	8.2	11.3	PA 66	UL94 V-2	natural
GE-ACH-9	25.1	25.1	11.9	11.4	7.1	11.7	PA 66	UL94 V-2	natural