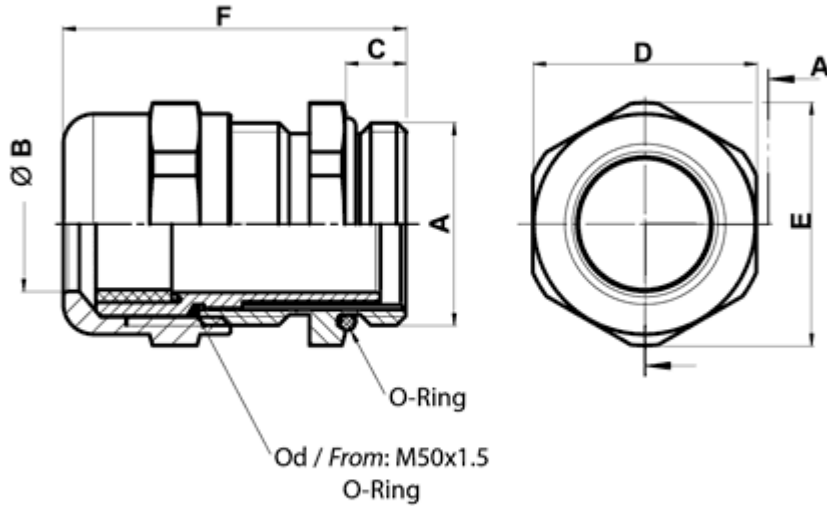


FP-9258 - Metric thread cable glands



Details:

- **Material: Nickel plated brass**
- **Lamellar insert: PA 6 V-2**
- **Sealing ring: Polychloroprene nitrile**
- Working temperature: -20°C up to +100°C
- Protection grade: IP68 - 5 bar; M12 - M25 - M50 - M63: IP69K
- Metric as per EN 50262

Symbol	Metric thread	Cable diameter range $\varnothing B$	C [mm]	D [mm]	E [mm]	F [mm]	Material	Standard pack
		[mm]						[szt./pcs]
9258MA92	M12×1.5	3.0 - 6.0	5	14	15.5	25	brass, nickel plated	100
9295MA92	M16×1.5	5.0 - 9.0	5	17	19	30	brass, nickel plated	100
9260MA92	M20×1.5	9.0 - 13.0	6	22	24	33.5	brass, nickel plated	100
9261MA92	M25×1.5	11.0 - 16.0	7	27	30	36.5	brass, nickel plated	50
9262MA92	M32×1.5	14.0 - 21.0	8	34	36	38	brass, nickel plated	25
9263MA92	M40×1.5	19.0 - 27.0	8	43	46	41	brass, nickel plated	10
9264MA92	M50×1.5	24.0 - 35.0	9	55	60	49.5	brass, nickel plated	5
9265MA92	M63×1.5	32.0 - 42.0	10	65	70	52.5	brass, nickel plated	5
9266MA92	M63×1.5	38.0 - 48.0	10	65	70	52.5	brass, nickel plated	5