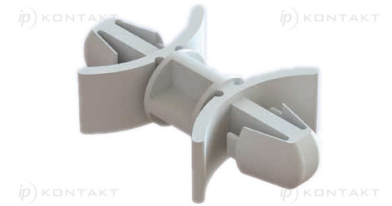
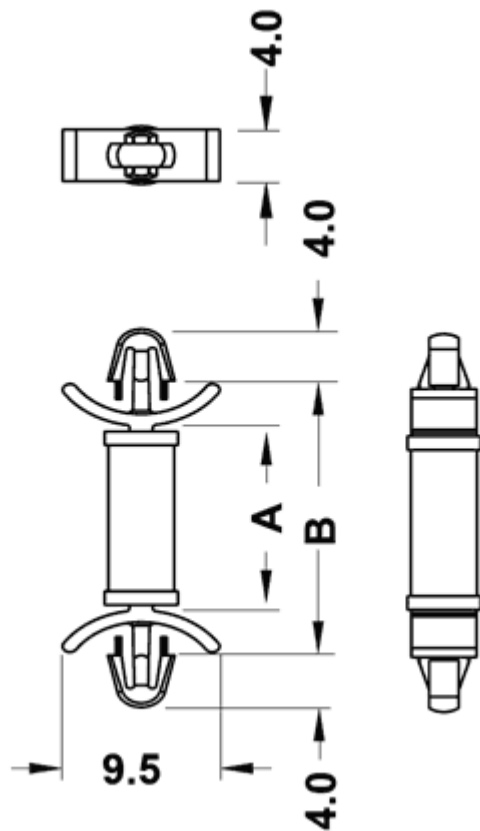


FP-8272 - PCB spacers



Details:

- **Material: Nylon 6.6**
- **Color: natural**
- Flammability: UL94V2
- Working temperature: -35°C up to +85°C
- Standard pack: 1000 pcs

Symbol	Length A	B	Mounting hole diameter	Panel thickness range	Material	Flammability	Color
	[mm]	[mm]					
8272AA00	4.8	9.8	3.2	0.8 - 2.0	PA 66	UL94 V-2	natural
8273AA00	6.4	11.4	3.2	0.8 - 2.0	PA 66	UL94 V-2	natural
8274AA00	7.9	12.9	3.2	0.8 - 2.0	PA 66	UL94 V-2	natural
8275AA00	9.5	14.5	3.2	0.8 - 2.0	PA 66	UL94 V-2	natural
8276AA00	11.1	16.1	3.2	0.8 - 2.0	PA 66	UL94 V-2	natural
8277AA00	12.7	17.7	3.2	0.8 - 2.0	PA 66	UL94 V-2	natural
8278AA00	14.3	19.3	3.2	0.8 - 2.0	PA 66	UL94 V-2	natural
8279AA00	15.9	20.9	3.2	0.8 - 2.0	PA 66	UL94 V-2	natural