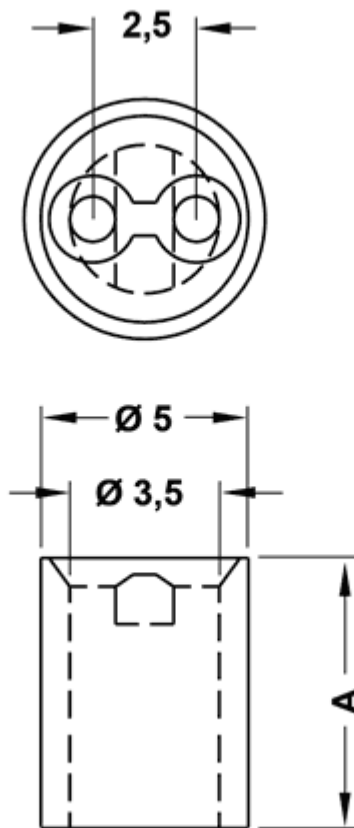


FP-6586 - LED spacer support



Details:

- **Material: Nylon 6.6**
- **Color: natural**
- Flammability: UL94V2 (V0 on special order)
- Working temperature: -30°C do +85°C
- Standard pack: 2000 pcs

Symbol	Height A	Standard pack	Material	Flammability	Color
	[mm]	[szt./pcs]			
6586AA00	1.5	2000	PA 66	UL94 V-2	natural
6587AA00	2	2000	PA 66	UL94 V-2	natural
6588AA00	2.5	2000	PA 66	UL94 V-2	natural
6589AA00	3	2000	PA 66	UL94 V-2	natural
6590AA00	3.5	2000	PA 66	UL94 V-2	natural
6352AA00	4	2000	PA 66	UL94 V-2	natural
6591AA00	4.5	2000	PA 66	UL94 V-2	natural
6592AA00	5	2000	PA 66	UL94 V-2	natural
6593AA00	5.5	2000	PA 66	UL94 V-2	natural
6594AA00	6	2000	PA 66	UL94 V-2	natural
6175AA00	6.5	2000	PA 66	UL94 V-2	natural
6595AA00	7	2000	PA 66	UL94 V-2	natural
6596AA00	7.5	2000	PA 66	UL94 V-2	natural
6597AA00	8	2000	PA 66	UL94 V-2	natural
6598AA00	8.5	2000	PA 66	UL94 V-2	natural

Symbol	Height A	Standard pack	Material	Flammability	Color
	[mm]	[szt./pcs]			
6599AA00	9	2000	PA 66	UL94 V-2	natural
6176AA00	9.5	2000	PA 66	UL94 V-2	natural
6601AA00	10	2000	PA 66	UL94 V-2	natural
6602AA00	10.5	2000	PA 66	UL94 V-2	natural
6603AA00	11	2000	PA 66	UL94 V-2	natural
6604AA00	11.5	2000	PA 66	UL94 V-2	natural
6605AA00	12	2000	PA 66	UL94 V-2	natural
6177AA00	12.5	2000	PA 66	UL94 V-2	natural
6606AA00	13	2000	PA 66	UL94 V-2	natural
6607AA00	13.5	2000	PA 66	UL94 V-2	natural
6608AA00	14	1000	PA 66	UL94 V-2	natural
6609AA00	14.5	1000	PA 66	UL94 V-2	natural
6610AA00	15	1000	PA 66	UL94 V-2	natural
6611AA00	15.5	1000	PA 66	UL94 V-2	natural
6178AA00	16	1000	PA 66	UL94 V-2	natural
6612AA00	16.5	1000	PA 66	UL94 V-2	natural
6613AA00	17	1000	PA 66	UL94 V-2	natural
6614AA00	17.5	1000	PA 66	UL94 V-2	natural
6615AA00	18	1000	PA 66	UL94 V-2	natural
6616AA00	18.5	1000	PA 66	UL94 V-2	natural
6179AA00	19	1000	PA 66	UL94 V-2	natural
6617AA00	19.5	1000	PA 66	UL94 V-2	natural
6618AA00	20	1000	PA 66	UL94 V-2	natural
6619AA00	20.5	1000	PA 66	UL94 V-2	natural
6620AA00	21	1000	PA 66	UL94 V-2	natural
6621AA00	21.5	1000	PA 66	UL94 V-2	natural
6622AA00	22	1000	PA 66	UL94 V-2	natural
6623AA00	22.5	1000	PA 66	UL94 V-2	natural
6624AA00	23	1000	PA 66	UL94 V-2	natural
6625AA00	23.5	1000	PA 66	UL94 V-2	natural
6626AA00	24	1000	PA 66	UL94 V-2	natural