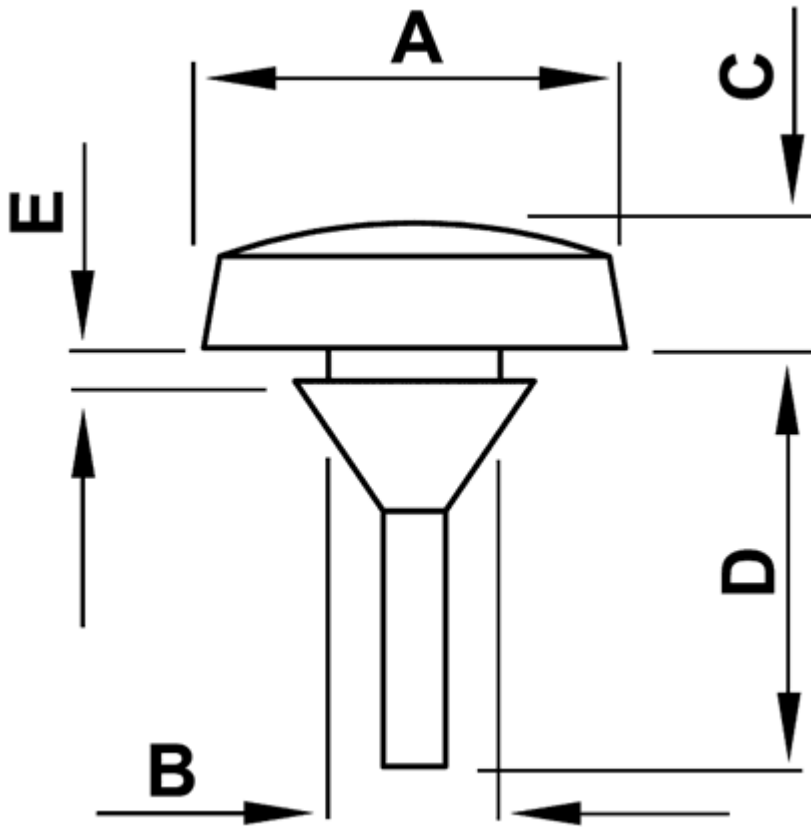


FP-6060 - Push-in feet



Details:

- **Material: Soft PVC or EPDM**
- **Color: black**
- Working temperature (PVC): -25°C to +60°C
- Working temperature (EPDM): -30°C to +120°C

Symbol	Ext. diameter ØA	ØB	C	D	E	Material	Color	Standard pack
	[mm]							[mm]
6060GS01	7.8	3.5	2	6.8	1	EPDM	black	1000
0441CA01	8	4	1.5	5	1	Soft PVC	black	2500
2343CA01	12	6	3.5	16.5	1.5	Soft PVC	black	1000