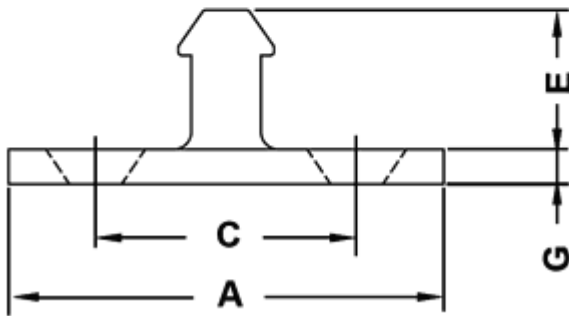
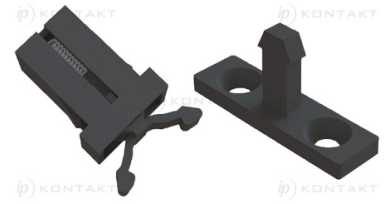
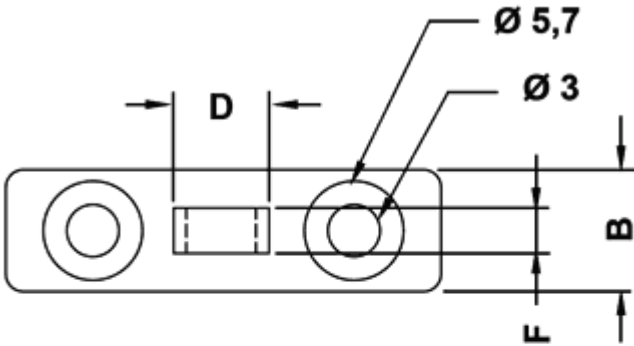
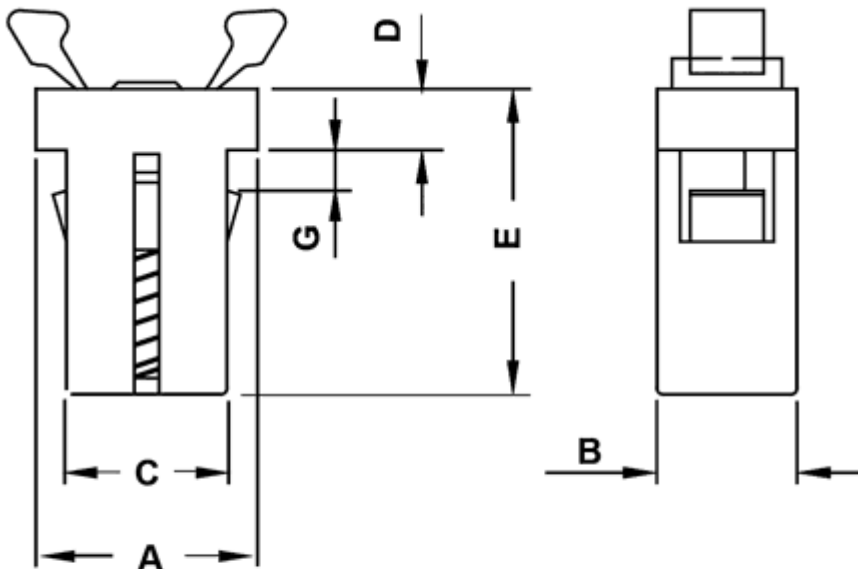


FP-4715 - Push push



**5545HA01**



**4715GA01PS**

Details:

- **Material: see table**
- Latch working temperature: -10°C do +60°C
- Stud working temperature: -30°C do +90°C
- Retention force: 1000g
- Locking force: 500g
- Suitable for flap doors on compact equipment

Symbol	A	B	C	D	E	F	G	Material	Color
	[mm]	[mm]	[mm]	[mm]	[mm]	[mm]	[mm]		
4715GA01PS	10.9	6.9	7.8	3	15	-	2	POM + PA66	black
5545HA01	25	7	15	5.5	8	2.5	2.2	ABS	black