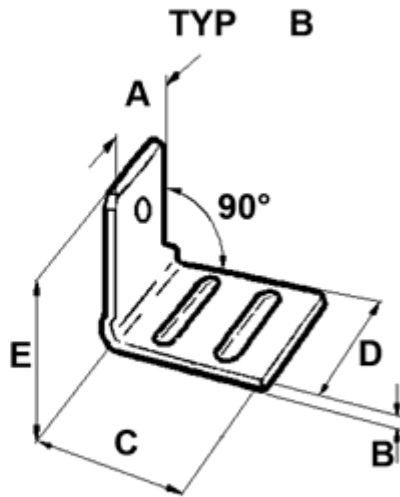
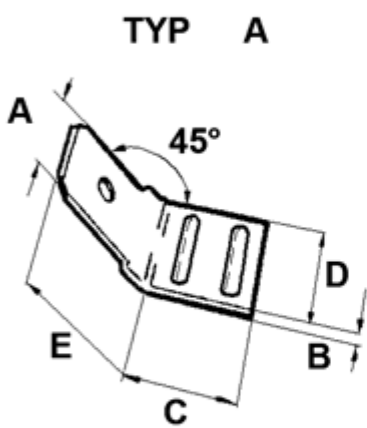


FP-3673 - Weldable tabs



Details:

- **Material: tin-plated brass**

| Symbol | Typ/Type | A | B | C | D | E | Material |
|----------|----------|------|------|------|------|------|-------------------------|
| | | [mm] | [mm] | [mm] | [mm] | [mm] | |
| 3673MC92 | A | 6.3 | 0.8 | 8 | 8 | 10 | steel, nickel plated |
| 3675MC92 | B | 6.3 | 0.8 | 8 | 8 | 10 | mild steel, zinc plated |