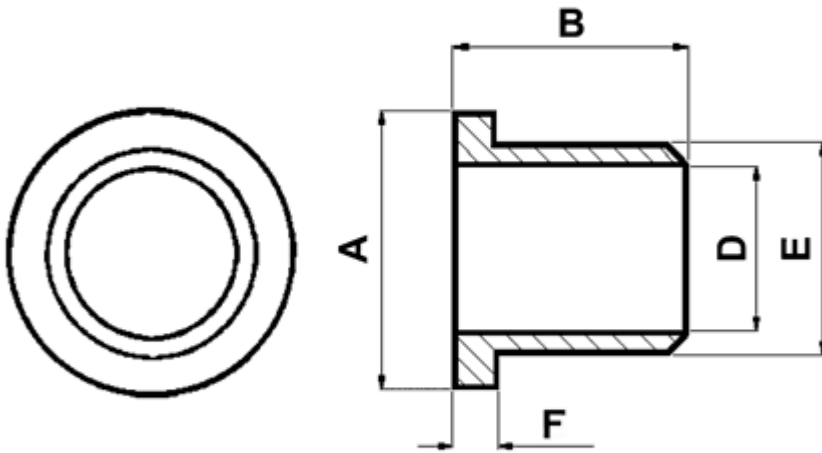


FP-3008 - LED supports



Details:

- **Material: Nylon 6.6**
- **Color: black**
- Flammability: UL94V2
- Working temperature: -30°C do +85°C
- Standard pack: 1000 pcs

Symbol	A	B	D	E	F	Material	Flammability	Color
	[mm]	[mm]	[mm]	[mm]	[mm]			
3008AA01	8	6.5	5	6	1	PA 66	UL94 V-2	black