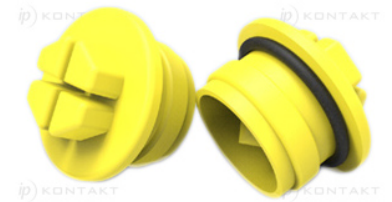
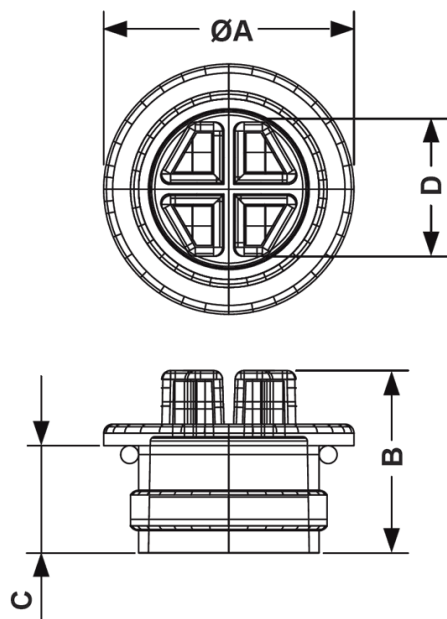


## FP-25240 -



### Details:

- **Material: HDPE**
- **Colour: yellow**
- **Working temperature: -25°C to 60°C**

Symbol	Ext. thread	Ext. diameter ØA	B	C	Wrench size D	Material	Color	Standard pack
		[mm]			[mm]			[mm]
25240EA06	BSP 1/8-28	16	17.2	10	7	HDPE	yellow	500
25241EA06	BSP 1/4-19	19	19.7	12.5	10	HDPE	yellow	500
25242EA06	BSP 3/8-19	22	20.9	12.5	13	HDPE	yellow	500
25243EA06	BSP 1/2 -14	27	21.9	13.5	15	HDPE	yellow	500
25244EA06	BSP 5/8-14	29.5	21.9	13.5	17	HDPE	yellow	500
25245EA06	BSP 3/4-14	32	21.9	13.5	19	HDPE	yellow	250
25246EA06	BSP 7/8-14	37	21.9	13.5	22	HDPE	yellow	250
25247EA06	BSP 1-11	40	23.6	15	24	HDPE	yellow	250
25248EA06	BSP 1.1/4-11	50	23.6	15	24	HDPE	yellow	250
25249EA06	BSP 1.1/2-11	56	25	15	30	HDPE	yellow	100
25250EA06	BSP 1.3/4-11	62	25	15	36	HDPE	yellow	100
25251EA06	BSP 2-11	68	25	15	36	HDPE	yellow	100
25252EA06	M8×1	12.5	17	10	6	HDPE	yellow	250
25253EA06	M10×1	16	17.2	10	7	HDPE	yellow	250
25254EA06	M10	16	17.2	10	7	HDPE	yellow	250
25255EA06	M12×1	17	17.2	10	10	HDPE	yellow	250
25256EA06	M12×1.5	17	19.2	12	10	HDPE	yellow	250
25257EA06	M14×1.5	19	19.2	12	10	HDPE	yellow	250
25258EA06	M16×1.5	22	20.4	12	13	HDPE	yellow	250
25259EA06	M18×1.5	24	20.4	12	13	HDPE	yellow	250
25260EA06	M20×1.5	26	20.4	12	15	HDPE	yellow	250
25261EA06	M22×1.5	28	20.4	12	15	HDPE	yellow	250
25262EA06	M24×1.5	30	20.4	12	17	HDPE	yellow	250
25263EA06	M26×1.5	32	20.4	12	19	HDPE	yellow	250

Symbol	Ext. thread	Ext. diameter ØA	B	C	Wrench size D	Material	Color	Standard pack
		[mm]	[mm]	[mm]	[mm]			[szt./pcs]
25264EA06	M27×2.0	33	24.6	15	19	HDPE	yellow	250
25265EA06	M28×1.5	34	20.4	12	19	HDPE	yellow	250
25266EA06	M30×1.5	38	20.6	12	22	HDPE	yellow	250
25267EA06	M30×2.0	38	24.6	15	22	HDPE	yellow	250
25268EA06	M32×1.5	40	20.6	12	24	HDPE	yellow	250
25269EA06	M33×2.0	40	24.6	15	24	HDPE	yellow	250
25270EA06	M36×1.5	45	20.6	12	24	HDPE	yellow	500
25271EA06	M36×2.0	45	24.6	15	24	HDPE	yellow	250
25272EA06	M38×1.5	48	20.6	12	24	HDPE	yellow	500
25273EA06	M42×2.0	50	24.6	15	24	HDPE	yellow	250
25274EA06	M45×1.5	52	22	12	24	HDPE	yellow	500
25275EA06	M45×2.0	52	25	15	30	HDPE	yellow	250
25276EA06	M48×2.0	55	25	15	30	HDPE	yellow	100
25277EA06	M52×1.5	60	22	12	30	HDPE	yellow	500
25278EA06	M52×2.0	60	25	15	7	HDPE	yellow	100
25279EA06	UNF 3/8-24	14	17.2	10	7	HDPE	yellow	500
25280EA06	UNF 7/16-20	16	19.7	12.5	10	HDPE	yellow	500
25281EA06	UNF 1/2-20	19	20.9	12.5	10	HDPE	yellow	500
25282EA06	UNF 9/16-18	21	20.9	12.5	10	HDPE	yellow	500
25283EA06	UNF 5/8-18	22	20.9	12.5	13	HDPE	yellow	500
25284EA06	UNF 3/4-16	27	21.9	13.5	13	HDPE	yellow	500
25285EA06	UNF 7/8-14	28	21.9	13.5	15	HDPE	yellow	500
25286EA06	UNF 1-14	31	22.1	13.5	17	HDPE	yellow	500
25287EA06	UNF 1.1/16-12	35	22.6	14	19	HDPE	yellow	250
25288EA06	UNF 1.3/16-12	38	22.6	14	22	HDPE	yellow	250
25289EA06	UNF 1.5/16-12	42	24	14	24	HDPE	yellow	250
25290EA06	UNF 1.5/8-12	50	24	14	24	HDPE	yellow	250
25291EA06	UNF 1.7/8-12	55	24	14	30	HDPE	yellow	250