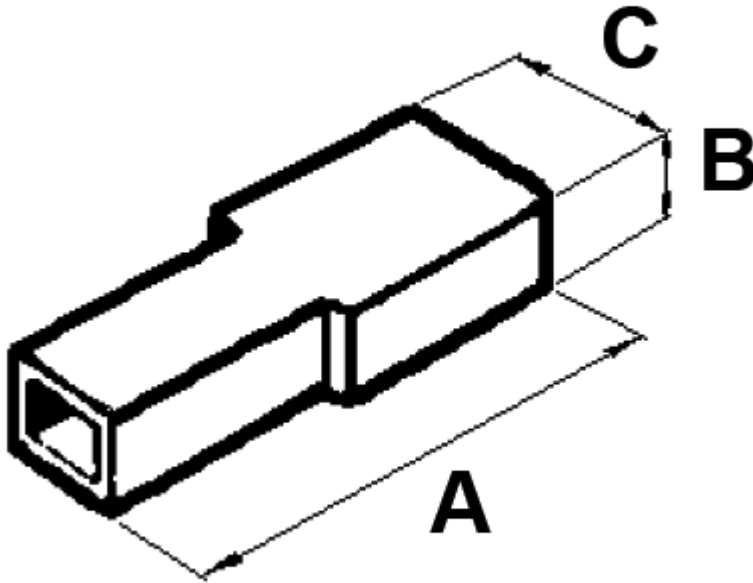


**FP-1153 - Insulating caps**



Details:

- **Material: PA 6.6**
- **Flammability: UL94 V-2**
- Color: natural
- Working temperature: -35°C to +85°C
- Standard pack: 5000 pcs

| Symbol   | A    | B    | C    | Width of groove terminal<br>[mm] | Material | Flammability | Color   |
|----------|------|------|------|----------------------------------|----------|--------------|---------|
|          | [mm] | [mm] | [mm] |                                  |          |              |         |
| 1153AA00 | 32   | 9.5  | 12.5 | 6.3                              | PA 66    | UL94 V-2     | natural |