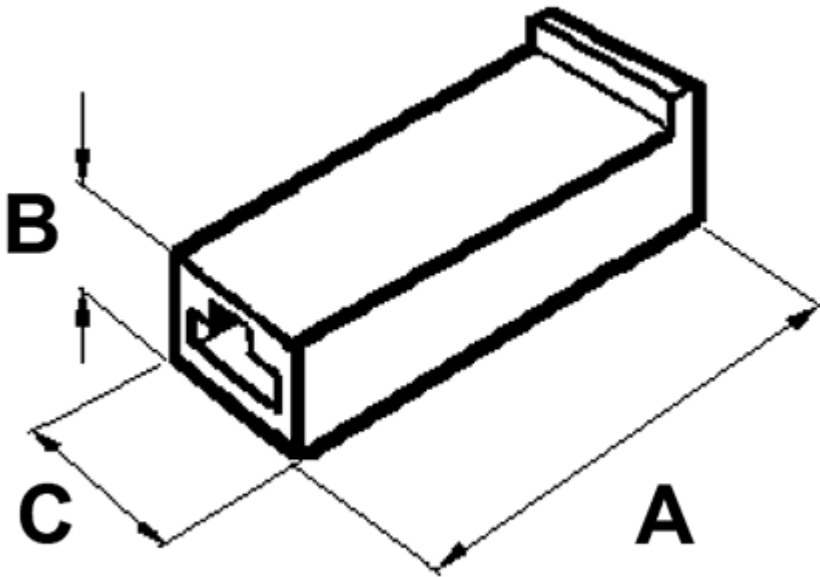


FP-1152 - Insulating caps



Details:

- **Material: PA 6.6**
- **Flammability: UL94 V-2**
- Color: natural
- Working temperature: -35°C to +85°C
- Standard pack: 5000 pcs

Symbol	A	B	C	Width of groove terminal	Material	Flammability	Color
	[mm]	[mm]	[mm]	[mm]			
1152AA00	32	6.5	10	6.3	PA 66	UL94 V-2	natural