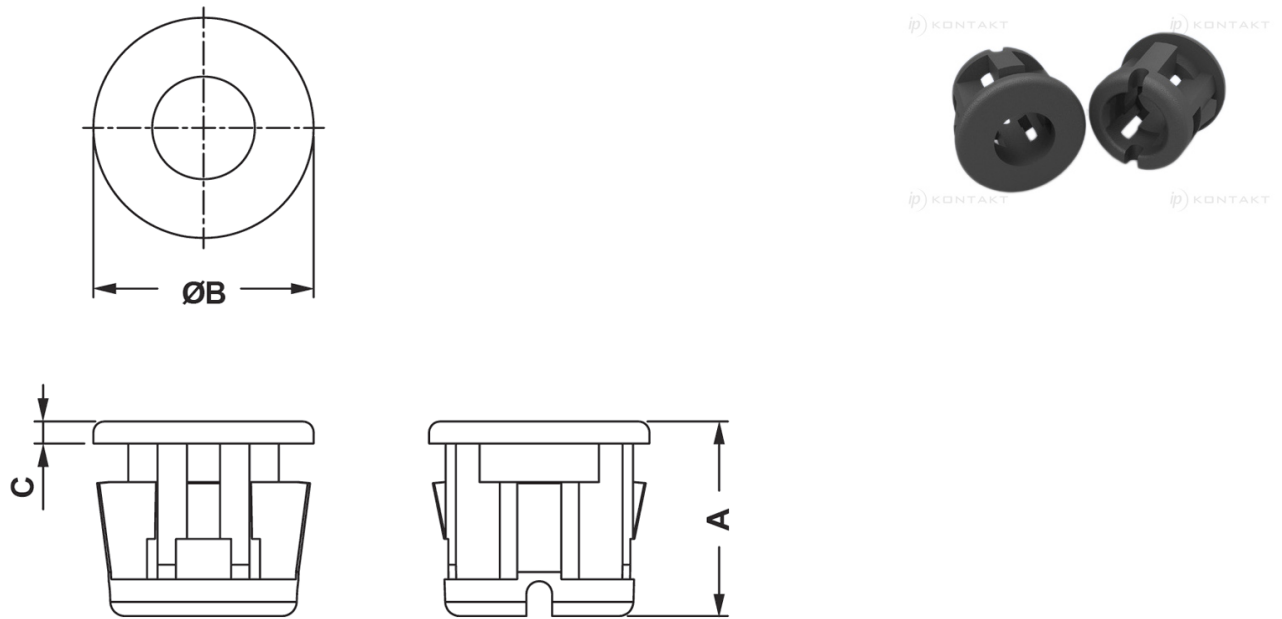


FP-11507 - Ø2.8 mm LED Supports



Details:

- **Material: PA 6.6**
- **Flammability: UL94 V-2**
- **Colour: black**
- Working temperature: -35°C to 85°C
- Suitable for Ø2.8 LEDs with visor and 2 pin, 3 pin

Symbol	A	B	C	Mounting hole diameter	Panel thickness range	Material	Flammability	Color
	[mm]	[mm]	[mm]	[mm]	[mm]			
11507AA01	5.3	6	0.6	5.2	0.8 - 1.0	PA 66	UL94 V-2	black