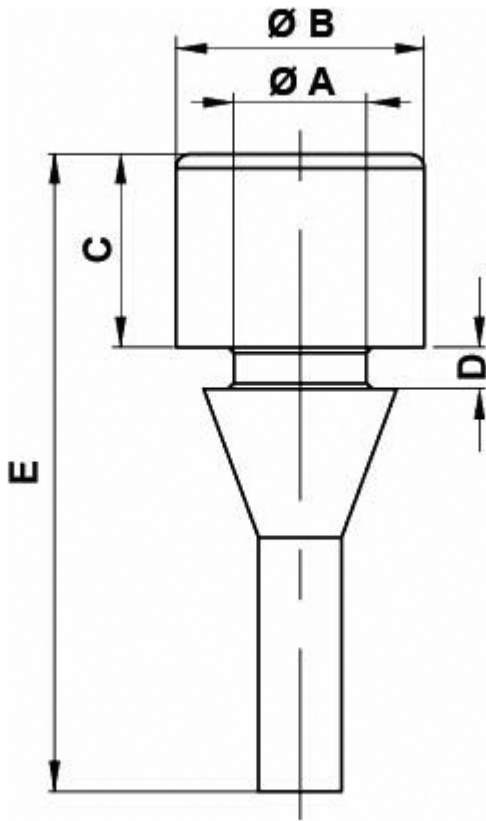


FP-11241 - Pull Mount Bumper



Details:

- **Material:** see table
- **Kolor:** black
- Working temperature:
 - EPDM: -40°C do +120°C
 - SILICONE: -60°C ~ +250°C
- Standard pack: see table

Symbol	Mounting hole diameter ØA	Head diameter ØB	Head height C	Panel thickness D	E	Material	Shore A hardness	Color	Standard pack
	[mm]	[mm]	[mm]	[mm]	[mm]				[szt./pcs]
11241GS01	2.8	5.2	2.4	1.2	13.2	EPDM	70	black	2500
11242GS01	3	6	2	0.6	8.6	EPDM	50	black	3000
11243GS01	3	7	2	2	16	EPDM	50	black	2500
11244GS01	4	12	4.5	2.7	18.5	EPDM	60	black	3000
11245GS01	4	10	3	2	12	EPDM	40	black	2500
11246GS01	4.8	9	7	1.5	23.1	EPDM	60	black	2500
11247SI01	7	14	6	1.2	30	Silicone	50	black	2500