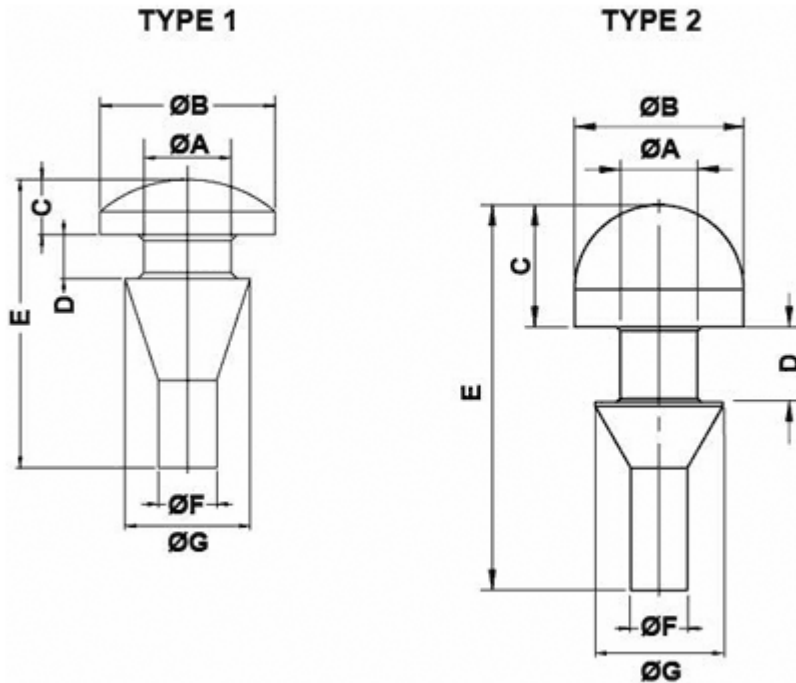


FP-11232 - Pull Mount Bumper



Details:

- **Material:** see table
- **Kolor:** black
- Working temperature:
 - EPDM: -40°C do +120°C
 - NBR: -35°C do +110°C
- Standard pack: see table

| Symbol | Type | Head diameter ØA | Mounting hole diameter ØB | Head height C | Panel thickness D | E | ØF | ØG | Material | Shore A hardness | Color | Standard pack |
|-----------|------|---------------------|------------------------------|------------------|----------------------|------|------|------|----------|------------------|-------|---------------|
| | | [mm] | [mm] | [mm] | [mm] | [mm] | [mm] | [mm] | | | | [szt./pcs] |
| 11232GS01 | 1 | 2.6 | 4.9 | 2.5 | 1.5 | 12 | 2.2 | 4 | EPDM | 70 | black | 5000 |
| 11233GS01 | 1 | 3 | 6 | 1.9 | 1.5 | 9.9 | 2 | 4.3 | EPDM | 50 | black | 5000 |
| 11235GS01 | 1 | 4 | 10 | 4 | 4 | 18 | 3 | 7 | EPDM | 40 | black | 2500 |
| 11238GS01 | 1 | 6 | 13 | 5.5 | 1.3 | 14.3 | 5 | 8 | EPDM | 50 | black | 2500 |
| 11234NR01 | 2 | 3.7 | 7 | 3.5 | 2.8 | 14.5 | 3.2 | 5.2 | NBR | 80 | black | 5000 |
| 11236GS01 | 2 | 4 | 8 | 5.3 | 2 | 18 | 3 | 5.5 | EPDM | 50 | black | 2500 |
| 11237GS01 | 2 | 4.1 | 9 | 6.5 | 4 | 20.5 | 3 | 6.8 | EPDM | 40 | black | 2500 |