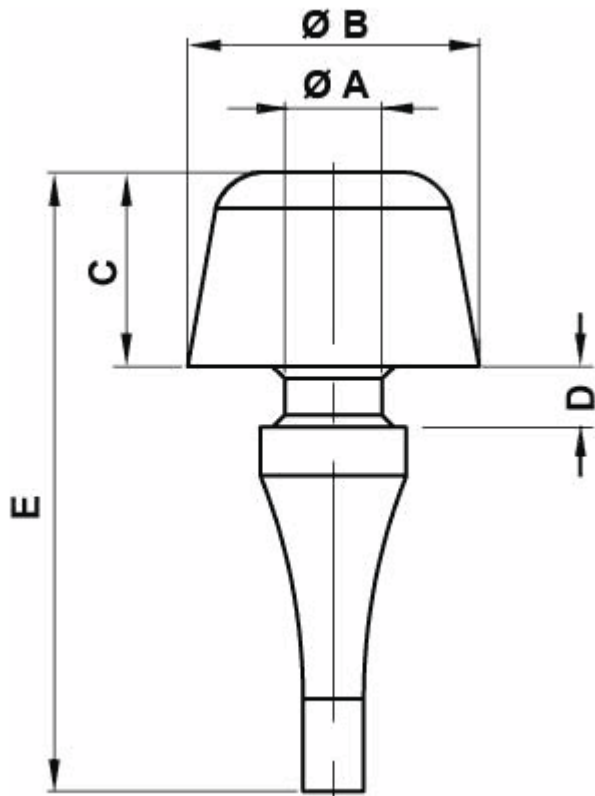


FP-11220 - Pull Mount Bumper



Details:

- **Material:** see table
- **Kolor:** black
- Working temperature:
 - EPDM: -40°C do +120°C
 - NBR: -35°C do +110°C
- Standard pack: see table

Symbol	Mounting hole diameter ØA	Head diameter ØB	Head height C	Panel thickness D	E	Material	Shore A hardness	Color	Standard pack
	[mm]	[mm]	[mm]	[mm]	[mm]				[szt./pcs]
11220GS01	1.8	6	3	0.8	10.2	EPDM	50	black	2500
11221GS01	2.4	6.5	4.5	0.5	12.5	EPDM	50	black	2500
11222GS01	2.5	6	3	2.5	10.5	EPDM	50	black	2500
11223NR01	3	10.4	7	2.5	17	NBR	40	black	2500
11224GS01	3.2	8	3	2	13	EPDM	55	black	2500
11225GS01	3.5	7	7	3.5	17	EPDM	60	black	2500
11226GS01	3.6	8.7	5	1.4	15.1	EPDM	50	black	2500
11227GS01	3.8	6.5	4.5	1	16.8	EPDM	40	black	2500
11228GS01	4	12	8	2.5	25.5	EPDM	33	black	2500
11229GS01	4	12	8	1.5	24.5	EPDM	35	black	2500
11230GS01	4.2	10	6.3	2	16.8	EPDM	40	black	5000
11231NR01	5	8	8	2.2	19.2	NBR	60	black	3000