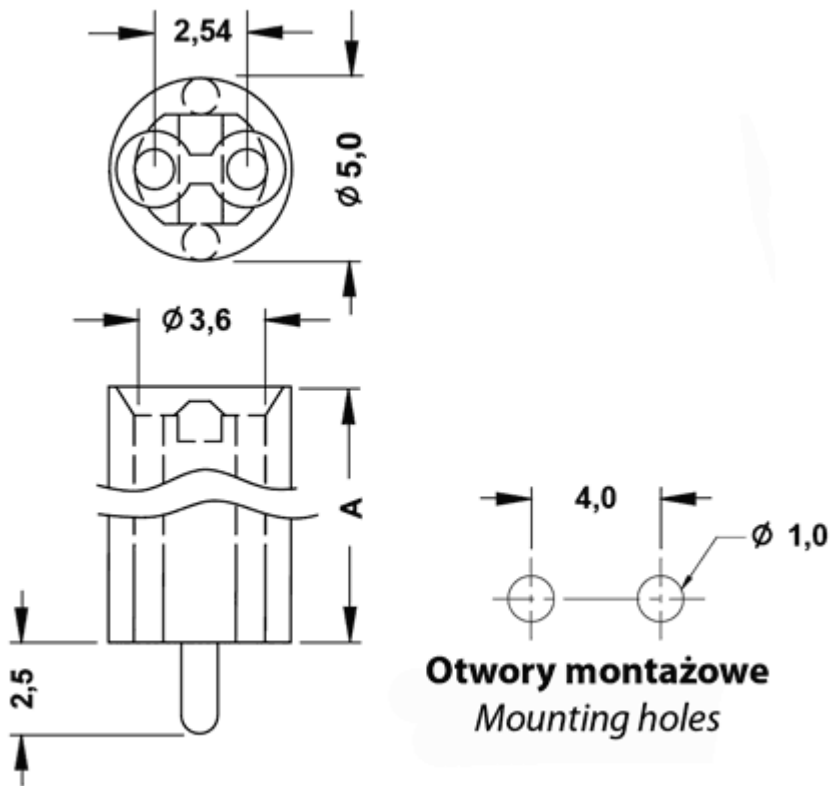


## FP-10595 - LED spacer



**Otwory montażowe**  
*Mounting holes*

Details:

- **Material:** Nylon 6.6
- **Color:** natural
- Flammability: UL94V2
- Working temperature: -35°C do +85°C

Symbol	Height A	Standard pack	Material	Flammability	Color
	[mm]				
10595AA00	2	2000	PA 66	UL94 V-2	natural
10596AA00	3	2000	PA 66	UL94 V-2	natural
10597AA00	4	2000	PA 66	UL94 V-2	natural
10598AA00	6	2000	PA 66	UL94 V-2	natural
10599AA00	7	2000	PA 66	UL94 V-2	natural
10600AA00	8	2000	PA 66	UL94 V-2	natural
10601AA00	9	2000	PA 66	UL94 V-2	natural
10602AA00	10	2000	PA 66	UL94 V-2	natural
10603AA00	11	1000	PA 66	UL94 V-2	natural
10604AA00	11.5	1000	PA 66	UL94 V-2	natural
10605AA00	12	1000	PA 66	UL94 V-2	natural
10606AA00	12.5	1000	PA 66	UL94 V-2	natural
10607AA00	13	1000	PA 66	UL94 V-2	natural
10608AA00	14	1000	PA 66	UL94 V-2	natural
10609AA00	18	1000	PA 66	UL94 V-2	natural