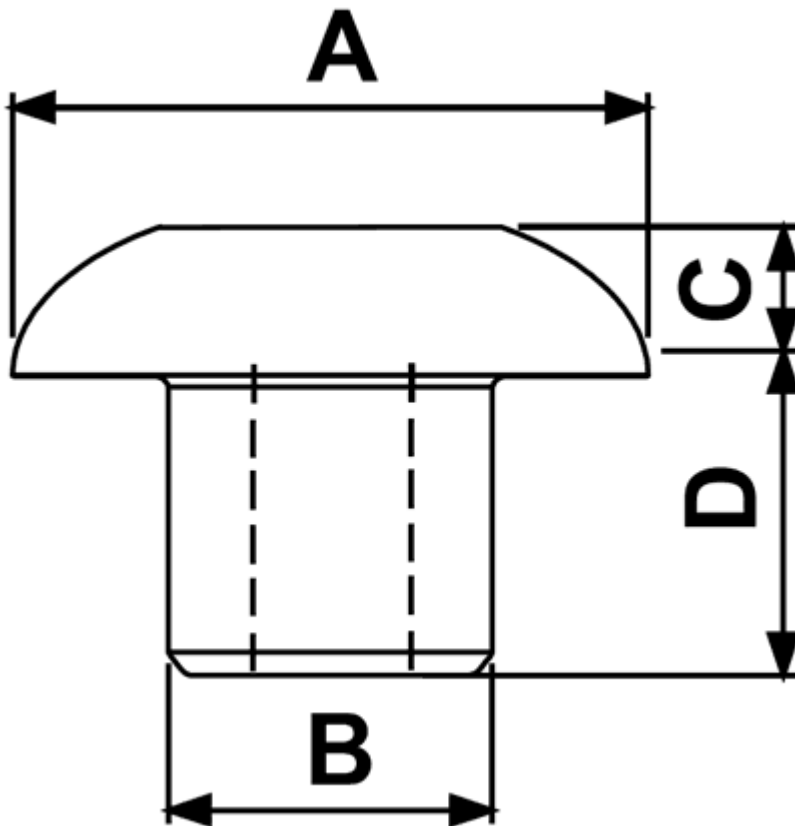


FP-0426 - Push-in feet



Details:

- **Material: Soft PVC or LDPE**
- **Color: black**
- Working temperature (PVC): -25°C to +60°C
- Working temperature (LDPE): -30°C to +60°C
- Standard pack: 2500 pcs

Symbol	Ext. diameter ØA	ØB	C	D	Material	Color
	[mm]	[mm]	[mm]	[mm]		
0426CA01	9.5	5	3	6	Soft PVC	black
0426EA01	9.5	5	3	6	LDPE	black
0427CA01	12	6	3	7.5	Soft PVC	black
0427EA01	12	6	3	7.5	LDPE	black
0428CA01	14	6	4	15	Soft PVC	black
0428EA01	14	6	4	15	LDPE	black
0966CA01	10	8	3	9	Soft PVC	black
0429CA01	18	8	5	15	Soft PVC	black
0429EA01	18	8	5	15	LDPE	black
0430CA01	20	8	5	15	Soft PVC	black
0430EA01	20	8	5	15	LDPE	black
0431CA01	24	11	5	13	Soft PVC	black
0431EA01	24	11	5	13	LDPE	black