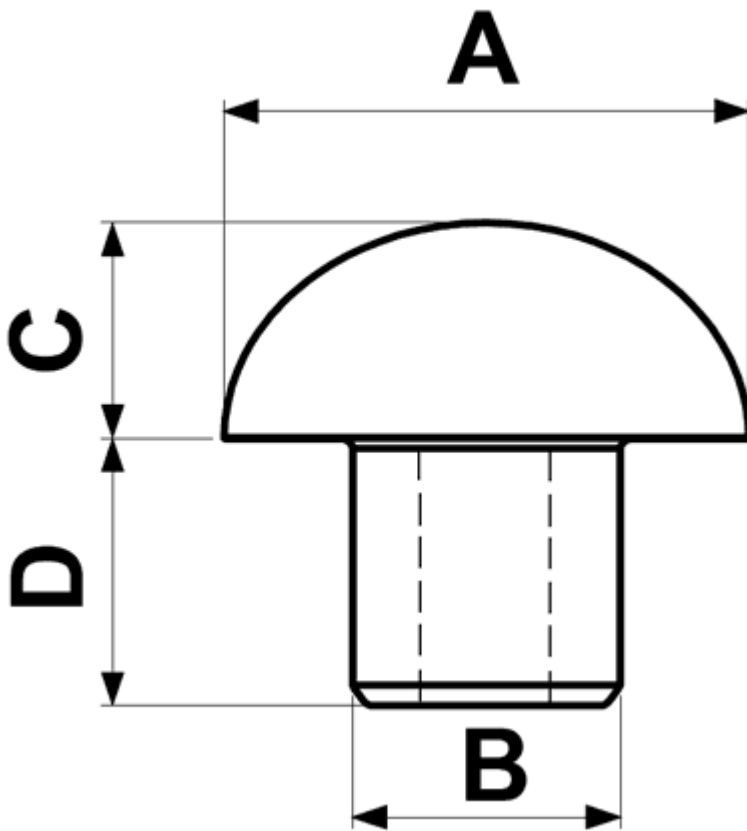


FP-0421 - Push-in feet



Details:

- **Material: Soft PVC or LDPE**
- **Color: black**
- Working temperature (PVC): -25°C to +60°C
- Working temperature (LDPE): -30°C to +60°C

Symbol	Ext. diameter ØA	ØB	C	D	Material	Color	Standard pack
	[mm]	[mm]	[mm]	[mm]			[szt./pcs]
0421CA01	14	9	4.5	6	Soft PVC	black	2500
0423CA01	20	10	8	10	Soft PVC	black	2500
0423EA01	20	10	8	10	LDPE	black	2500