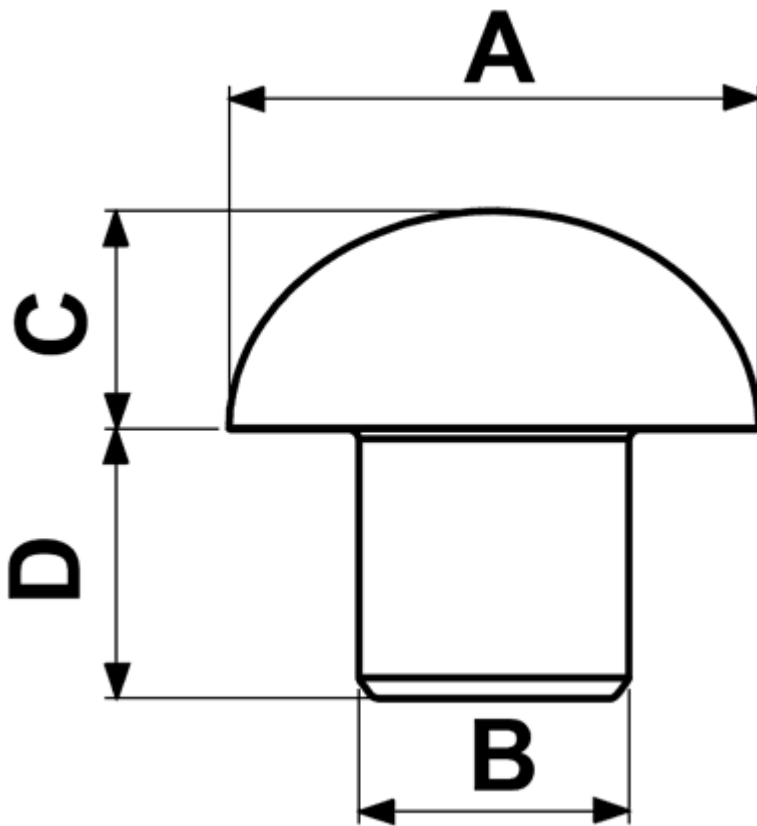


FP-0420 - Push-in feet



Details:

- **Material: Soft PVC or LDPE**
- **Color: black**
- Working temperature (PVC): -25°C to +60°C
- Working temperature (LDPE): -30°C to +60°C

Symbol	Ext. diameter ØA	ØB	C	D	Material	Color	Standard pack
	[mm]	[mm]	[mm]	[mm]			[szt./pcs]
0420CA01	9	5	3	6	Soft PVC	black	2500
0420EA01	9	5	3	6	LDPE	black	2500
0422CA01	14	6	6.5	15	Soft PVC	black	2500
0422EA01	14	6	6.5	15	LDPE	black	2500
5151CA01	16	10	6	10	Soft PVC	black	1000