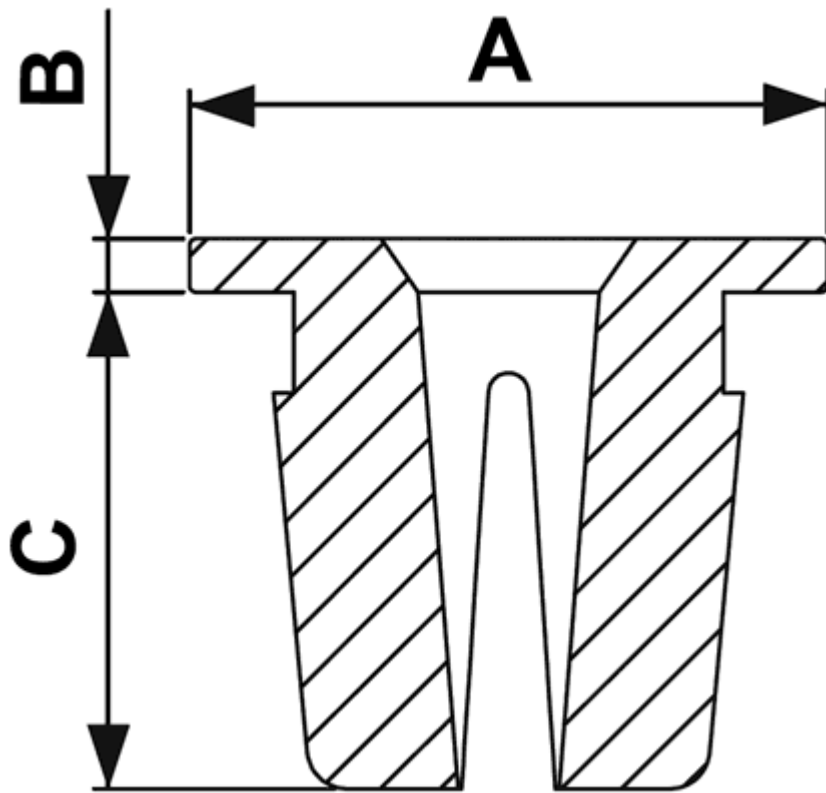


FP-0110 - Screw grommets



Details:

- **Material:** Nylon 6.6
- **Flammability:** UL94V2
- **Color:** natural
- **Working temperature:** -35°C do +85°C

Symbol	A	B	C	Mounting hole dimensions	Panel thickness range	Notes	Material	Flammability	Color	Standard pack
	[mm]	[mm]	[mm]	[mm]	[mm]					[szt./pcs]
0110AA00	9	1.2	5.8	5.5 x 5.5	0.8 - 2.0	ST 2.9 - ST 3.9	PA 66	UL94 V-2	natural	5000
4702AA00	9.5	0.8	4.5	6.2 x 6.2	0.8 - 1.5	ST 3.9 - ST 4.2	PA 66	UL94 V-2	natural	2500
4709AA00	9.5	0.8	7.5	6.5 x 6.5	0.8 - 3.0	ST 3.9 - ST 4.2	PA 66	UL94 V-2	natural	2500
0112AA00	9.5	1	8	7.0 x 7.0	0.8 - 2.5	ST 4.2	PA 66	UL94 V-2	natural	2500