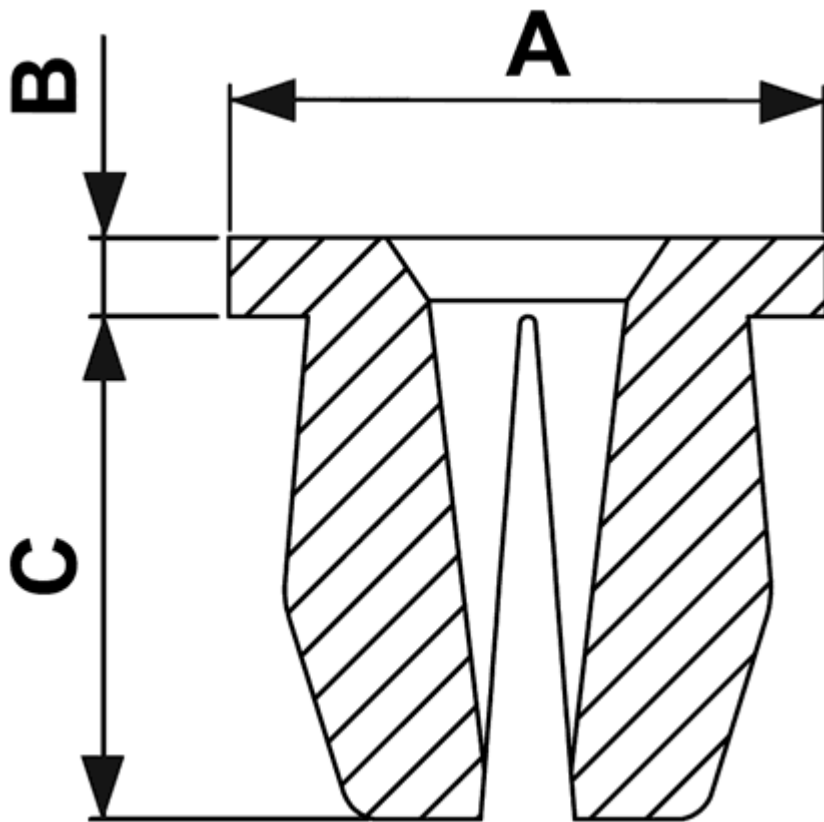


FP-0108 - Screw grommets



Details:

- **Material:** Nylon 6.6
- **Flammability:** UL94V2
- **Color:** natural
- **Working temperature:** -35°C do +85°C

Symbol	ØA	B	C	Mounting hole dimensions [mm]	Panel thickness range [mm]	Notes	Material	Flammability	Color	Standard pack
	[mm]	[mm]	[mm]							[szt./pcs]
0108AA00	8.5	1.2	5.5	4.5 x 4.5	0.8 - 2.5	ST 3.9	PA 66	UL94 V-2	natural	2500
0115AA00	9.5	1	8	7.0 x 7.0	0.8 - 3.0	ST 4.2	PA 66	UL94 V-2	natural	2500
0116AA00	13	1	8	7.0 x 7.0	0.8 - 3.0	ST 4.2 - ST 4.8	PA 66	UL94 V-2	natural	2500