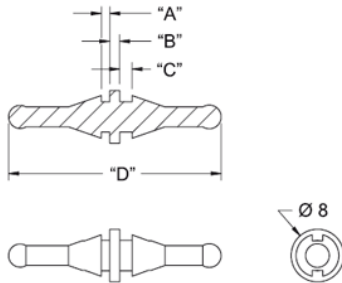
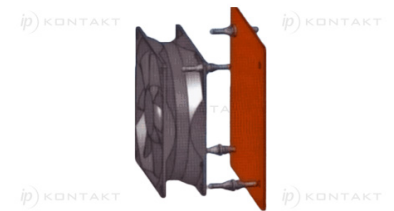
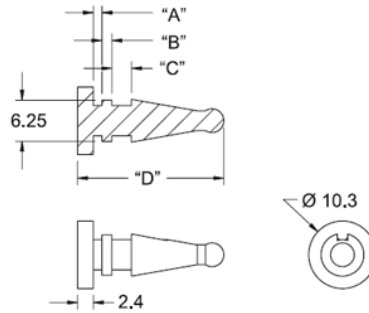


## FM - Fan Mounts

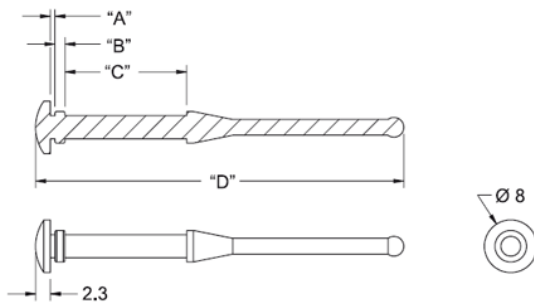
**Fig. 1**



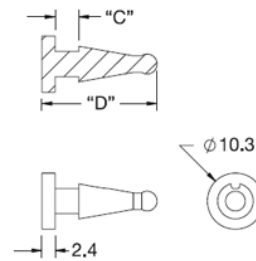
**Fig. 2**



**Fig. 3**



**Fig. 4**



**Details:**

- **Material:** see table
- **Color:** black
- **Standard Pack:** 1000 pcs

Symbol	A	B	C	D	Mounting hole diameter	Fan thickness	Panel thickness range	Fig.	Material	Color
	[mm]	[mm]	[mm]	[mm]						
FM-1	1.3	1.5	1.9	32.3	5	2	1.4 max.	1	EPDM, 30 Shore A	black
FM-2	1.3	1.5	1.9	32.3	5	2	1.4 max.	1	EPDM, 40 Shore A	black
FM-3	1.3	1.5	3	22.2	5	3.1	1.4 max.	2	EPDM, 30 Shore A	black
FM-4	1.3	1.5	3	22.2	5	3.1	1.4 max.	2	EPDM, 40 Shore A	black
FM-5	0.7	1.5	18.5	56	3.5	20	0.8 max.	3	silicone rubber, 40 Shore A	black
FM-6	2.5	2	14	53.8	4.3	15	3.0 max.	3	silicone rubber, 40 Shore A	black
FM-7	0.7	1.5	24	73	3.5	25 - 28	0.8 max.	3	silicone rubber, 40 Shore A	black
FM-8	-	-	4.3	21	5	5.4 *	-	4	EPDM, 30 Shore A	black
FM-9	-	-	4.3	21	5	5.4 *	-	4	EPDM, 40 Shore A	black

\* - Maximum combined panel and fan thickness