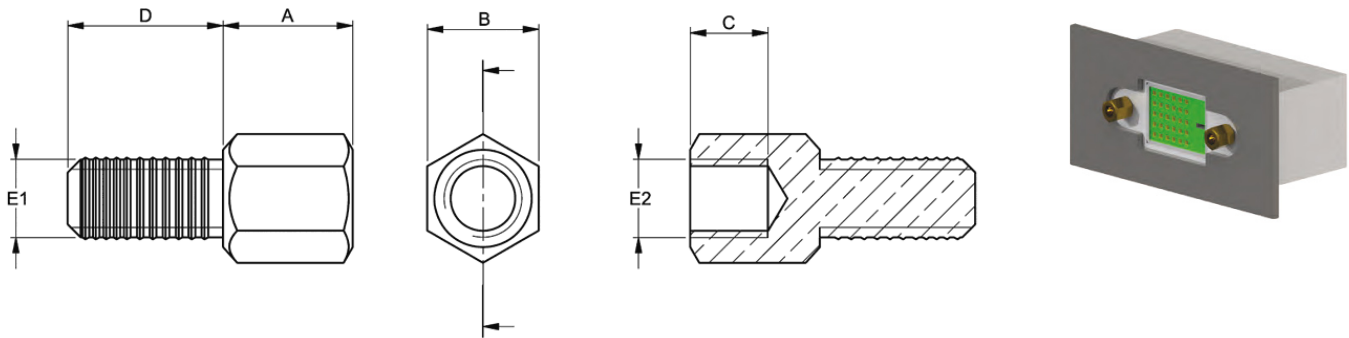


DSM/DSB - D Sub Miniature Standoff



Details:

- **Material:**
 - **Brass. RMS-276* Nickel Plating. RMS-234***
 - **Mild Steel. RMS-237* Nickel Plating. RMS-235***
- Standard pack: 100/Bag

Symbol	Ext. thread E1	Int. thread E2	Height A	Wrench size B	Int. thread length C	Ext. thread length D	Material
			[mm]	[mm]	[mm]	[mm]	
DSB-308101040050	M3	M3	5	5	3	6	brass, nickel plated
DSB-308103040050	UNC 4-40	M3	5	5	3.5	6	brass, nickel plated
DSB-308102040050	M3	UNC 4-40	5	5	3	6	brass, nickel plated
DSB-308104040050	UNC 4-40	UNC 4-40	5	5	3.5	6	brass, nickel plated
DSB-308201040050	M3	M3	5	5	3	8	brass, nickel plated
DSB-308203040050	UNC 4-40	M3	5	5	3.5	8	brass, nickel plated
DSB-308202040050	M3	UNC 4-40	5	5	3	8	brass, nickel plated
DSB-308204040050	UNC 4-40	UNC 4-40	5	5	3.5	8	brass, nickel plated
DSB-308301040050	M3	M3	5	5	3	12	brass, nickel plated
DSB-308302040050	M3	UNC 4-40	5	5	3	12	brass, nickel plated
DSB-308304040050	UNC 4-40	UNC 4-40	5	5	3.5	12	brass, nickel plated
DSM-308101041152	M3	M3	5	5	3	6	mild steel, nickel plated
DSM-308103041152	UNC 4-40	M3	5	5	3.5	6	mild steel, nickel plated
DSM-308102041152	M3	UNC 4-40	5	5	3	6	mild steel, nickel plated
DSM-308104041152	UNC 4-40	UNC 4-40	5	5	3.5	6	mild steel, nickel plated
DSM-308201041152	M3	M3	5	5	3	8	mild steel, nickel plated
DSM-308203041152	UNC 4-40	M3	5	5	3.5	8	mild steel, nickel plated
DSM-308202041152	M3	UNC 4-40	5	5	3	8	mild steel, nickel plated
DSM-308204041152	UNC 4-40	UNC 4-40	5	5	3.5	8	mild steel, nickel plated
DSM-308301041152	M3	M3	5	5	3	12	mild steel, nickel plated
DSM-308302041152	M3	UNC 4-40	5	5	3	12	mild steel, nickel plated
DSM-308304041152	UNC 4-40	UNC 4-40	5	5	3.5	12	mild steel, nickel plated