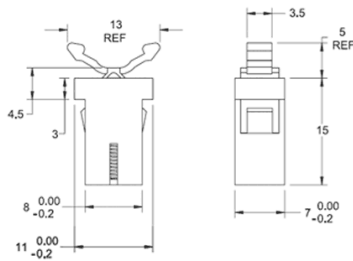
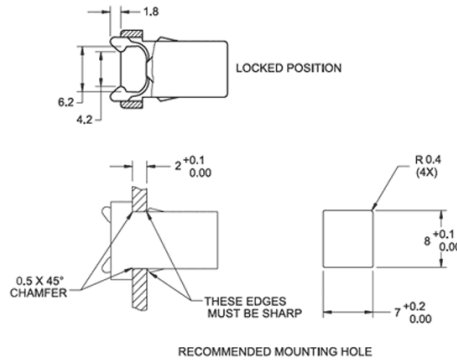
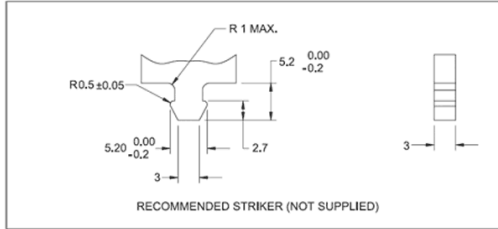


DL-1 - Door Latch and Strikers



Details:

- Material: UL94 HB Acetal, RMS-121, Spring: Stainless Steel, RMS-280
- Standard Pack: 500 pcs
- Supplied in released position
- Locking Stroke 5.4; Release Stroke 1.3
- Locking Stroke Force = 500 gr. ± 200 gr.; Retention Force (Locked) = 1 kg. Min.
- Continuous Working Temperature = -10 - 60°C; Storage Temperature = -40°C to 80°C
- Life Cycle = 50,000 operations

Symbol	Material	Flammability	Color
DL-1	POM	UL94 HB	black
DL-1WH	POM	UL94 HB	white