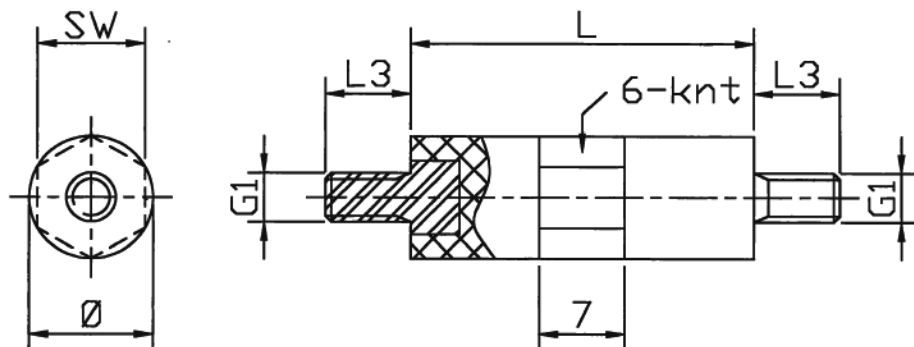


D-HSP-2 - Polystyrene spacer bolt with steel thread

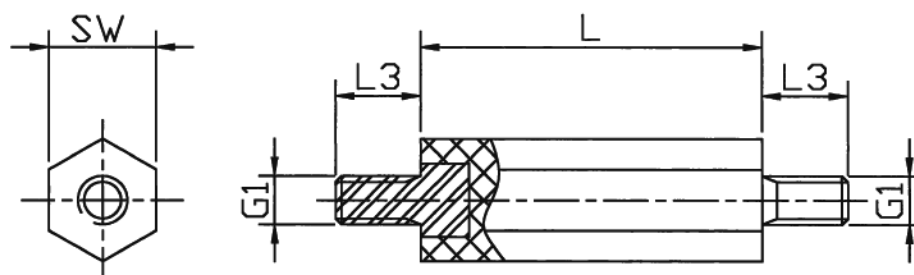
Typ: okrągły

Gwint: zewn. / zewn.



Typ: sześciokątny

Gwint: zewn. / zewn.



Details:

- Body: polystyrene, gray (other colors on special order)
- Threaded insert: galvanized steel
- Working temperature to: **90°C**
- Fire rating: **UL 94-V2**
- Contact resistance: **DIN 53482: >10¹⁶ Ω/cm**
- Dielectric strength: **min. 5000V**
- **Length tolerance: ± 0.5mm**

Symbol	Typ	Diameter Ø	Wrench size SW	Ext. thread G1	Ext. thread length L3	Length L	Material
		[mm]	[mm]		[mm]	[mm]	
D-HSP-2-M3-6-15	round	7	6	M3	7	15	PS, galvanized steel
D-HSP-2-M3-6-20	round	7	6	M3	7	20	PS, galvanized steel
D-HSP-2-M3-6-25	round	7	6	M3	7	25	PS, galvanized steel
D-HSP-2-M3-6-30	round	7	6	M3	7	30	PS, galvanized steel
D-HSP-2-M3-6-40	round	7	6	M3	7	40	PS, galvanized steel
D-HSP-2-M3-6-45	round	7	6	M3	7	45	PS, galvanized steel
D-HSP-2-M3-6-55	round	7	6	M3	7	55	PS, galvanized steel
D-HSP-2-M4-9-10	round	10	9	M4	7	10	PS, galvanized steel
D-HSP-2-M4-9-15	round	10	9	M4	7	15	PS, galvanized steel
D-HSP-2-M4-9-20	round	10	9	M4	7	20	PS, galvanized steel

Symbol	Typ	Diameter Ø	Wrench size SW	Ext. thread G1	Ext. thread length L3	Length L	Material
		[mm]	[mm]		[mm]	[mm]	
D-HSP-2-M4-9-25	round	10	9	M4	7	25	PS, galvanized steel
D-HSP-2-M4-9-30	round	10	9	M4	7	30	PS, galvanized steel
D-HSP-2-M4-9-35	round	10	9	M4	7	35	PS, galvanized steel
D-HSP-2-M4-9-40	round	10	9	M4	7	40	PS, galvanized steel
D-HSP-2-M4-9-45	round	10	9	M4	7	45	PS, galvanized steel
D-HSP-2-M4-9-50	round	10	9	M4	7	50	PS, galvanized steel
D-HSP-2-M4-9-55	round	10	9	M4	7	55	PS, galvanized steel
D-HSP-2-M4-9-60	round	10	9	M4	7	60	PS, galvanized steel
D-HSP-2-M4-9-90	round	10	9	M4	7	90	PS, galvanized steel
D-HSP-2-M5-13-15	hexagonal	-	13	M5	7	15	PS, galvanized steel
D-HSP-2-M5-13-20	hexagonal	-	13	M5	7	20	PS, galvanized steel
D-HSP-2-M5-13-30	hexagonal	-	13	M5	7	30	PS, galvanized steel
D-HSP-2-M5-13-45	hexagonal	-	13	M5	7	45	PS, galvanized steel
D-HSP-2-M5-13-55	hexagonal	-	13	M5	7	55	PS, galvanized steel
D-HSP-2-M5-13-70	hexagonal	-	13	M5	7	70	PS, galvanized steel
D-HSP-2-M5-13-85	hexagonal	-	13	M5	7	85	PS, galvanized steel
D-HSP-2-M5-13-120	hexagonal	-	13	M5	7	120	PS, galvanized steel
D-HSP-2-M6-13-15	hexagonal	-	13	M6	7	15	PS, galvanized steel
D-HSP-2-M6-13-20	hexagonal	-	13	M6	7	20	PS, galvanized steel
D-HSP-2-M6-13-30	hexagonal	-	13	M6	7	30	PS, galvanized steel
D-HSP-2-M6-13-45	hexagonal	-	13	M6	7	45	PS, galvanized steel
D-HSP-2-M6-13-70	hexagonal	-	13	M6	7	70	PS, galvanized steel
D-HSP-2-M6-13-120	hexagonal	-	13	M6	7	120	PS, galvanized steel