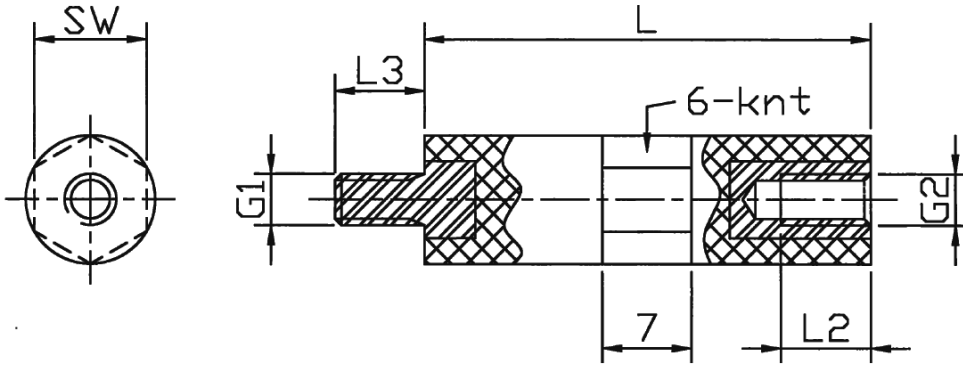
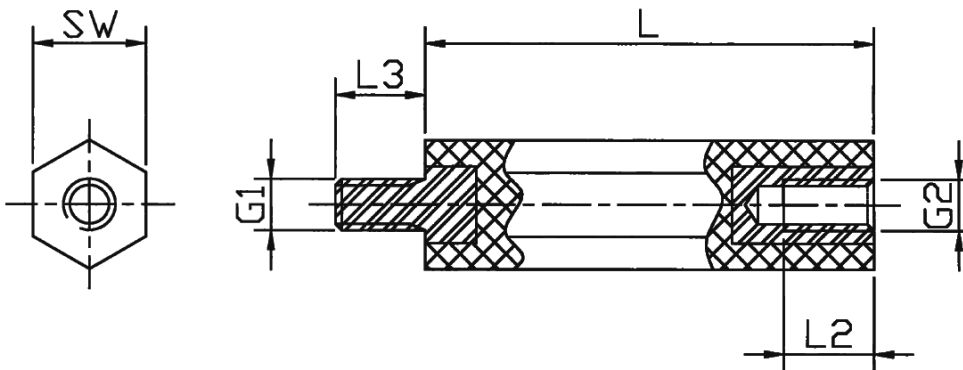


D-HSP-1 - Polystyrene spacer bolt with steel thread

Typ: okrągły.
 Gwint: wewn. / zewn.



Typ: sześciokątny
 Gwint: wewn. / zewn.



Details:

- Body: polystyrene, gray (other colors on special order)
- Threaded insert: galvanized steel
- Working temperature to: **90°C**
- Fire rating: **UL 94-V2**
- Contact resistance: **DIN 53482: >10¹⁶ Ω/cm**
- Dielectric strength: **min. 5000V**
- **Length tolerance: ± 0.5mm**

Symbol	Typ	Diameter	Wrench size SW	Ext. thread G1	Int. thread G2	Int. thread length L2	Ext. thread length L3	Length L	Material
		[mm]	[mm]			[mm]	[mm]		
D-HSP-1-M3-6-15	round	7	6	M3	M3	7	7	15	PS, galvanized steel
D-HSP-1-M3-6-20	round	7	6	M3	M3	7	7	20	PS, galvanized steel
D-HSP-1-M3-6-25	round	7	6	M3	M3	7	7	25	PS, galvanized steel
D-HSP-1-M3-6-30	round	7	6	M3	M3	7	7	30	PS, galvanized steel
D-HSP-1-M3-6-40	round	7	6	M3	M3	7	7	40	PS, galvanized steel

Symbol	Typ	Diameter	Wrench size SW	Ext. thread G1	Int. thread G2	Int. thread length L2	Ext. thread length L3	Length L	Material
		[mm]	[mm]			[mm]	[mm]	[mm]	
D-HSP-1-M3-6-45	round	7	6	M3	M3	7	7	45	PS, galvanized steel
D-HSP-1-M3-6-55	round	7	6	M3	M3	7	7	55	PS, galvanized steel
D-HSP-1-M4-9-10	round	10	9	M4	M4	7	7	10	PS, galvanized steel
D-HSP-1-M4-9-15	round	10	9	M4	M4	7	7	15	PS, galvanized steel
D-HSP-1-M4-9-20	round	10	9	M4	M4	7	7	20	PS, galvanized steel
D-HSP-1-M4-9-25	round	10	9	M4	M4	7	7	25	PS, galvanized steel
D-HSP-1-M4-9-30	round	10	9	M4	M4	7	7	30	PS, galvanized steel
D-HSP-1-M4-9-35	round	10	9	M4	M4	7	7	35	PS, galvanized steel
D-HSP-1-M4-9-40	round	10	9	M4	M4	7	7	40	PS, galvanized steel
D-HSP-1-M4-9-45	round	10	9	M4	M4	7	7	45	PS, galvanized steel
D-HSP-1-M4-9-50	round	10	9	M4	M4	7	7	50	PS, galvanized steel
D-HSP-1-M4-9-55	round	10	9	M4	M4	7	7	55	PS, galvanized steel
D-HSP-1-M4-9-60	round	10	9	M4	M4	7	7	60	PS, galvanized steel
D-HSP-1-M4-9-90	round	10	9	M4	M4	7	7	90	PS, galvanized steel
D-HSP-1-M5-13-15	hexagonal	-	13	M5	M5	7	7	15	PS, galvanized steel
D-HSP-1-M5-13-20	hexagonal	-	13	M5	M5	7	7	20	PS, galvanized steel
D-HSP-1-M5-13-30	hexagonal	-	13	M5	M5	7	7	30	PS, galvanized steel
D-HSP-1-M5-13-45	hexagonal	-	13	M5	M5	7	7	45	PS, galvanized steel
D-HSP-1-M5-13-55	hexagonal	-	13	M5	M5	7	7	55	PS, galvanized steel
D-HSP-1-M5-13-70	hexagonal	-	13	M5	M5	7	7	70	PS, galvanized steel
D-HSP-1-M5-13-85	hexagonal	-	13	M5	M5	7	7	85	PS, galvanized steel
D-HSP-1-M5-13-120	hexagonal	-	13	M5	M5	7	7	120	PS, galvanized steel
D-HSP-1-M6-13-15	hexagonal	-	13	M6	M6	7	7	15	PS, galvanized steel
D-HSP-1-M6-13-20	hexagonal	-	13	M6	M6	7	7	20	PS, galvanized steel
D-HSP-1-M6-13-30	hexagonal	-	13	M6	M6	7	7	30	PS, galvanized steel
D-HSP-1-M6-13-45	hexagonal	-	13	M6	M6	7	7	45	PS, galvanized steel
D-HSP-1-M6-13-70	hexagonal	-	13	M6	M6	7	7	70	PS, galvanized steel
D-HSP-1-M6-13-120	hexagonal	-	13	M6	M6	7	7	120	PS, galvanized steel