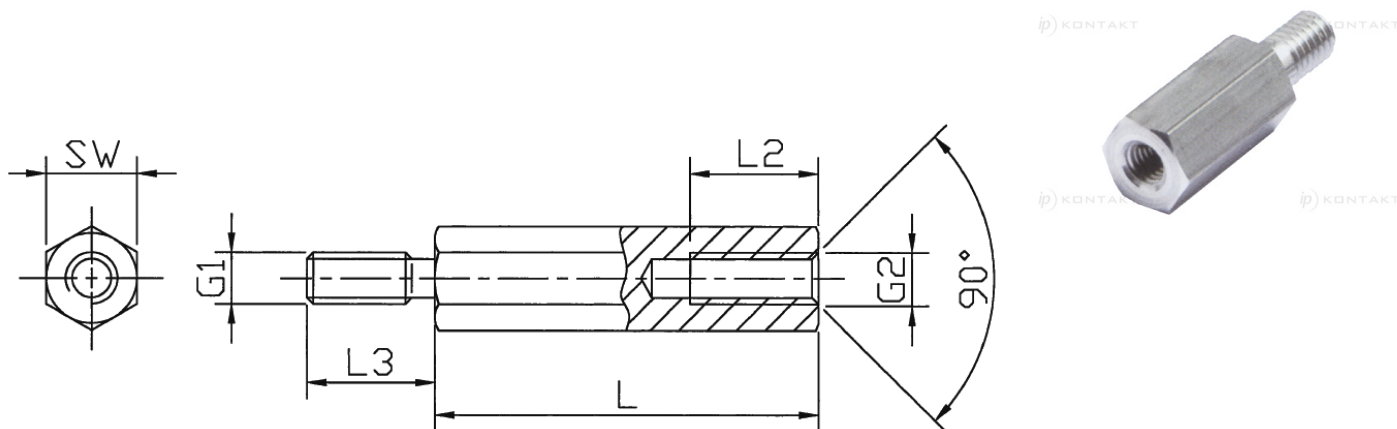


## D-HA-2 - Aluminium hexagon spacer



### Details:

- Material: Aluminium, complies: **EN AW 2011: AlCuBiPb**
- Minimum tensile strength: **310 N/mm<sup>2</sup>**
- Length tolerance: **±0.1mm (DIN 2768-m applies to SW13)**
- Other lengths also available
- Standard pack: 100 pcs

Symbol	Ext. thread G1	Int. thread G2	Wrench size SW	Length L	Int. thread length L2	Ext. thread length L3	Material
			[mm]	[mm]	[mm]	[mm]	
D-HA-2-M2.5-5-5	M2.5	M2.5	5	5	2.5	6	aluminium
D-HA-2-M2.5-5-8	M2.5	M2.5	5	8	5	6	aluminium
D-HA-2-M2.5-5-10	M2.5	M2.5	5	10	6	6	aluminium
D-HA-2-M2.5-5-12	M2.5	M2.5	5	12	7	6	aluminium
D-HA-2-M2.5-5-15	M2.5	M2.5	5	15	7	6	aluminium
D-HA-2-M2.5-5-18	M2.5	M2.5	5	18	7	6	aluminium
D-HA-2-M2.5-5-20	M2.5	M2.5	5	20	7	6	aluminium
D-HA-2-M2.5-5-25	M2.5	M2.5	5	25	7	6	aluminium
D-HA-2-M2.5-5-30	M2.5	M2.5	5	30	7	6	aluminium
D-HA-2-M2.5-5-35	M2.5	M2.5	5	35	7	6	aluminium
D-HA-2-M2.5-5-40	M2.5	M2.5	5	40	7	6	aluminium
D-HA-2-M2.5-5-45	M2.5	M2.5	5	45	7	6	aluminium
D-HA-2-M2.5-5-50	M2.5	M2.5	5	50	7	6	aluminium
D-HA-2-M2.5-5-55	M2.5	M2.5	5	55	7	6	aluminium
D-HA-2-M2.5-5-60	M2.5	M2.5	5	60	7	6	aluminium
D-HA-2-M3-5.5-5	M3	M3	5.5	5	2.5	6	aluminium
D-HA-2-M3-5.5-8	M3	M3	5.5	8	5	6	aluminium
D-HA-2-M3-5.5-10	M3	M3	5.5	10	6	6	aluminium
D-HA-2-M3-5.5-12	M3	M3	5.5	12	7	6	aluminium
D-HA-2-M3-5.5-15	M3	M3	5.5	15	7	6	aluminium
D-HA-2-M3-5.5-18	M3	M3	5.5	18	7	6	aluminium
D-HA-2-M3-5.5-20	M3	M3	5.5	20	7	6	aluminium
D-HA-2-M3-5.5-25	M3	M3	5.5	25	7	6	aluminium
D-HA-2-M3-5.5-30	M3	M3	5.5	30	7	6	aluminium

Symbol	Ext. thread G1	Int. thread G2	Wrench size SW	Length L	Int. thread length L2	Ext. thread length L3	Material
			[mm]	[mm]	[mm]	[mm]	
D-HA-2-M3-5.5-35	M3	M3	5.5	35	7	6	aluminium
D-HA-2-M3-5.5-40	M3	M3	5.5	40	7	6	aluminium
D-HA-2-M3-5.5-45	M3	M3	5.5	45	7	6	aluminium
D-HA-2-M3-5.5-50	M3	M3	5.5	50	7	6	aluminium
D-HA-2-M3-5.5-55	M3	M3	5.5	55	7	6	aluminium
D-HA-2-M3-5.5-60	M3	M3	5.5	60	7	6	aluminium
D-HA-2-M3-6-5	M3	M3	6	5	2.5	6	aluminium
D-HA-2-M3-6-8	M3	M3	6	8	6	6	aluminium
D-HA-2-M3-6-10	M3	M3	6	10	5	6	aluminium
D-HA-2-M3-6-12	M3	M3	6	12	6	6	aluminium
D-HA-2-M3-6-15	M3	M3	6	15	7	6	aluminium
D-HA-2-M3-6-18	M3	M3	6	18	7	6	aluminium
D-HA-2-M3-6-20	M3	M3	6	20	7	6	aluminium
D-HA-2-M3-6-25	M3	M3	6	25	7	6	aluminium
D-HA-2-M3-6-30	M3	M3	6	30	7	6	aluminium
D-HA-2-M3-6-35	M3	M3	6	35	7	6	aluminium
D-HA-2-M3-6-40	M3	M3	6	40	7	6	aluminium
D-HA-2-M3-6-45	M3	M3	6	45	7	6	aluminium
D-HA-2-M3-6-50	M3	M3	6	50	7	6	aluminium
D-HA-2-M3-6-55	M3	M3	6	55	7	6	aluminium
D-HA-2-M3-6-60	M3	M3	6	60	7	6	aluminium
D-HA-2-M3-6-65	M3	M3	6	65	7	6	aluminium
D-HA-2-M3-6-70	M3	M3	6	70	7	6	aluminium
D-HA-2-M4-7-8	M4	M4	7	8	5	8	aluminium
D-HA-2-M4-7-10	M4	M4	7	10	6	8	aluminium
D-HA-2-M4-7-12	M4	M4	7	12	8	8	aluminium
D-HA-2-M4-7-15	M4	M4	7	15	9	8	aluminium
D-HA-2-M4-7-18	M4	M4	7	18	9	8	aluminium
D-HA-2-M4-7-20	M4	M4	7	20	9	8	aluminium
D-HA-2-M4-7-25	M4	M4	7	25	9	8	aluminium
D-HA-2-M4-7-30	M4	M4	7	30	9	8	aluminium
D-HA-2-M4-7-35	M4	M4	7	35	9	8	aluminium
D-HA-2-M4-7-40	M4	M4	7	40	9	8	aluminium
D-HA-2-M4-7-45	M4	M4	7	45	9	8	aluminium
D-HA-2-M4-7-50	M4	M4	7	50	9	8	aluminium
D-HA-2-M4-7-55	M4	M4	7	55	9	8	aluminium
D-HA-2-M4-7-60	M4	M4	7	60	9	8	aluminium
D-HA-2-M4-7-65	M4	M4	7	65	9	8	aluminium
D-HA-2-M4-7-70	M4	M4	7	70	9	8	aluminium
D-HA-2-M4-7-75	M4	M4	7	75	9	8	aluminium
D-HA-2-M4-7-80	M4	M4	7	80	9	8	aluminium
D-HA-2-M4-7-85	M4	M4	7	85	9	8	aluminium
D-HA-2-M4-7-90	M4	M4	7	90	9	8	aluminium
D-HA-2-M4-7-95	M4	M4	7	95	9	8	aluminium
D-HA-2-M4-7-100	M4	M4	7	100	9	8	aluminium
D-HA-2-M5-8-10	M5	M5	8	10	6	8	aluminium
D-HA-2-M5-8-12	M5	M5	8	12	8	8	aluminium
D-HA-2-M5-8-15	M5	M5	8	15	10	8	aluminium
D-HA-2-M5-8-18	M5	M5	8	18	10	8	aluminium
D-HA-2-M5-8-20	M5	M5	8	20	10	8	aluminium
D-HA-2-M5-8-25	M5	M5	8	25	10	8	aluminium
D-HA-2-M5-8-30	M5	M5	8	30	10	8	aluminium
D-HA-2-M5-8-35	M5	M5	8	35	10	8	aluminium
D-HA-2-M5-8-40	M5	M5	8	40	10	8	aluminium

Symbol	Ext. thread G1	Int. thread G2	Wrench size SW	Length L	Int. thread length L2	Ext. thread length L3	Material
			[mm]	[mm]	[mm]	[mm]	
D-HA-2-M5-8-45	M5	M5	8	45	10	8	aluminium
D-HA-2-M5-8-50	M5	M5	8	50	10	8	aluminium
D-HA-2-M5-8-55	M5	M5	8	55	10	8	aluminium
D-HA-2-M5-8-60	M5	M5	8	60	10	8	aluminium
D-HA-2-M5-8-65	M5	M5	8	65	10	8	aluminium
D-HA-2-M5-8-70	M5	M5	8	70	10	8	aluminium
D-HA-2-M5-8-75	M5	M5	8	75	10	8	aluminium
D-HA-2-M5-8-80	M5	M5	8	80	10	8	aluminium
D-HA-2-M5-8-85	M5	M5	8	85	10	8	aluminium
D-HA-2-M5-8-90	M5	M5	8	90	10	8	aluminium
D-HA-2-M5-8-95	M5	M5	8	95	10	8	aluminium
D-HA-2-M5-8-100	M5	M5	8	100	10	8	aluminium
D-HA-2-M6-10-10	M6	M6	10	10	5	10	aluminium
D-HA-2-M6-10-12	M6	M6	10	12	7	10	aluminium
D-HA-2-M6-10-15	M6	M6	10	15	10	10	aluminium
D-HA-2-M6-10-18	M6	M6	10	18	12	10	aluminium
D-HA-2-M6-10-20	M6	M6	10	20	12	10	aluminium
D-HA-2-M6-10-25	M6	M6	10	25	12	10	aluminium
D-HA-2-M6-10-30	M6	M6	10	30	12	10	aluminium
D-HA-2-M6-10-35	M6	M6	10	35	12	10	aluminium
D-HA-2-M6-10-40	M6	M6	10	40	12	10	aluminium
D-HA-2-M6-10-50	M6	M6	10	50	12	10	aluminium
D-HA-2-M6-10-55	M6	M6	10	55	12	10	aluminium
D-HA-2-M6-10-60	M6	M6	10	60	12	10	aluminium
D-HA-2-M6-10-65	M6	M6	10	65	12	10	aluminium
D-HA-2-M6-10-70	M6	M6	10	70	12	10	aluminium
D-HA-2-M6-10-75	M6	M6	10	75	12	10	aluminium
D-HA-2-M6-10-80	M6	M6	10	80	12	10	aluminium
D-HA-2-M6-10-85	M6	M6	10	85	12	10	aluminium
D-HA-2-M6-10-90	M6	M6	10	90	12	10	aluminium
D-HA-2-M6-10-95	M6	M6	10	95	12	10	aluminium
D-HA-2-M6-10-100	M6	M6	10	100	12	10	aluminium
D-HA-2-M8-13-15	M8	M8	13	15	10	14	aluminium
D-HA-2-M8-13-20	M8	M8	13	20	12	14	aluminium
D-HA-2-M8-13-25	M8	M8	13	25	14	14	aluminium
D-HA-2-M8-13-30	M8	M8	13	30	14	14	aluminium
D-HA-2-M8-13-35	M8	M8	13	35	14	14	aluminium
D-HA-2-M8-13-40	M8	M8	13	40	14	14	aluminium
D-HA-2-M8-13-45	M8	M8	13	45	14	14	aluminium
D-HA-2-M8-13-50	M8	M8	13	50	14	14	aluminium
D-HA-2-M8-13-70	M8	M8	13	70	14	14	aluminium
D-HA-2-M8-13-80	M8	M8	13	80	14	14	aluminium
D-HA-2-M8-13-90	M8	M8	13	90	14	14	aluminium
D-HA-2-M8-13-100	M8	M8	13	100	14	14	aluminium