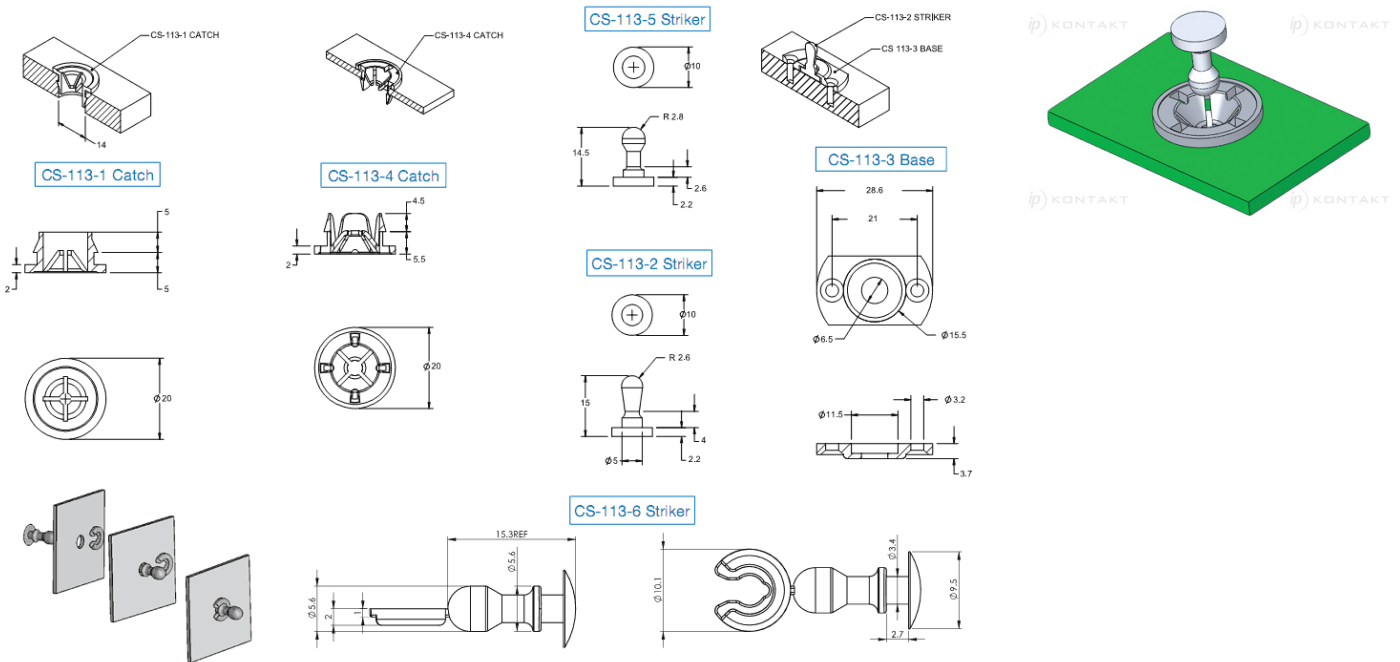


CS - Catch and Striker



Details:

- **Nylon 6/6, UL 94 HB, RMS-73 ***
- **Color:** black
- **Nylon 6, UL 94 V-2, RMS- 139 ***
- **Color:** natural
- **Nylon 6/6, UL 94 V-2, RMS-01 ***
- **Color:** natural
- **Acetal, UL 94 HB, RMS-39 ***
- **Color:** black
- Standard pack: 500 pcs

Symbol	Mounting method	Panel thickness range	Material	Flammability	Color
		[mm]			
CS-113-1	Push in fole 14 ± 0.08	10.0 min	PA 66	UL94 HB	black
CS-113-4	Snap in hole 14 ± 0.08	3.2	PA 6	UL94 V-2	natural
CS-113-2	Use abse CS-113-3	-	PA 66	UL94 HB	black
CS-113-5	Use abse CS-113-3	-	PA 66	UL94 V-2	natural
CS-113-6	Mounting Hole Ø 5.8 - 6.4, Panel Thickness 1.6	-	PA 66	UL94 HB	black
CS-113-3	Counter Sunk Scre #4, #5 or M3	-	Acetal	UL94 HB	black

Average Insertion & Extraction Data				
Part No.	CS-113-1		CS-113-4	
	Insertion	Extractin	Insertion	Extraction
	[N]			
CS-113-2	34	22	12	11
CS-113-5	24	64	16	38