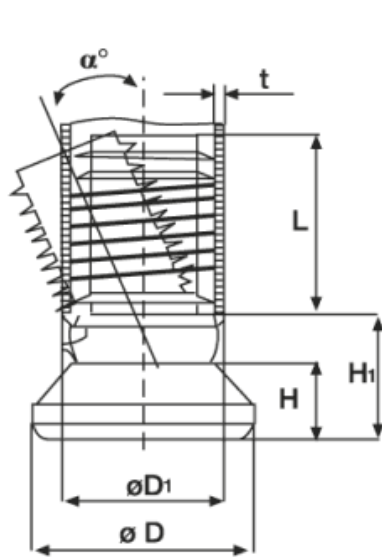


BM-SLITEF - Heavy duty tilt glides with PTFE slide base



Details:

- **Material: Nylon + PTFE (Polytetrafluoroethylene) base**
- **Colour: black**

Symbol	Angle α	Ext. diameter $\varnothing D$	$\varnothing D_1$	H	H_1	L	t	Material	Color
	[°]								
BM-SLITEF-25-19	19	25	19	-	-	24.5	1.5 - 2.0	PA	black
BM-SLITEF-25-20	19	25	20	-	-	24.5	1.5 - 2.0	PA	black
BM-SLITEF-25-22	19	25	22	-	-	24.5	1.5 - 2.0	PA	black
BM-SLITEF-25-25	19	25	25	-	-	24.5	1.5 - 2.0	PA	black
BM-SLITEF-25-28	19	25	28	-	-	24.5	1.5 - 2.0	PA	black
BM-SLITEF-30-19	19	30	19	-	-	24.5	1.5 - 2.0	PA	black
BM-SLITEF-30-20	19	30	20	-	-	24.5	1.5 - 2.0	PA	black
BM-SLITEF-30-22	19	30	22	-	-	24.5	1.5 - 2.0	PA	black
BM-SLITEF-30-25	19	30	25	-	-	24.5	1.5 - 2.0	PA	black
BM-SLITEF-30-28	19	30	28	-	-	24.5	1.5 - 2.0	PA	black