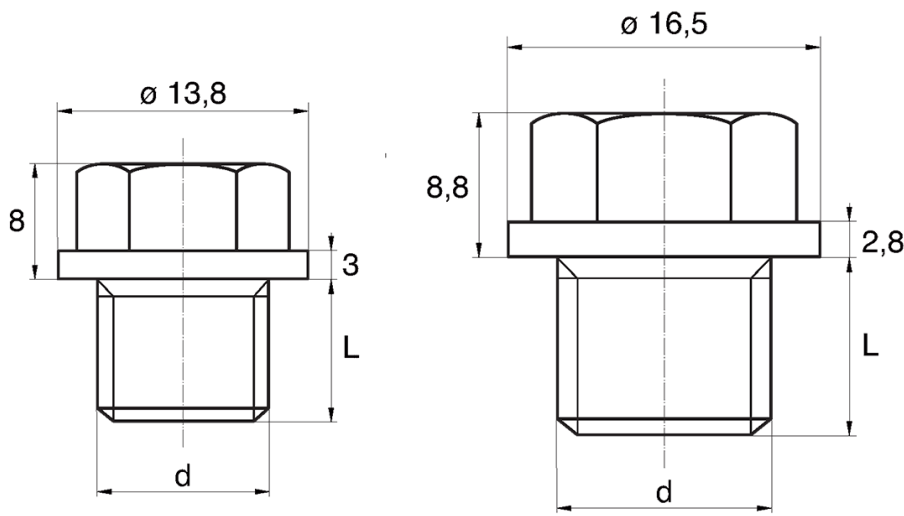


BL-ZGLHEX - Hex washer faced plug



Rozmiar klucza / Wrench size = 10

Rozmiar klucza / Wrench size = 13



Details:

- **Material: PE**
- **Colour: yellow**
- Materials available on special order: PP, PE, PVDF
- Colours available on special order: blue, red, green, black, grey, white
- Resists acids, greases and oils
- The head shape guarantees tightness
- Standard pack: 5000 pcs

| Symbol | Wrench size | Ext. thread d | Ext. thread length L | Material | Color |
|-----------------------|-------------|------------------|-------------------------|----------|--------|
| | [mm] | | [mm] | | |
| BL-ZGLHEX-10-M4-0.7 | 10 | M4 | 8 | PE | yellow |
| BL-ZGLHEX-10-M5-0.8 | 10 | M5 | 8 | PE | yellow |
| BL-ZGLHEX-10-M6-0.75 | 10 | M6×0.75 | 8 | PE | yellow |
| BL-ZGLHEX-10-M6-1 | 10 | M6 | 8 | PE | yellow |
| BL-ZGLHEX-10-M8-1 | 10 | M8×1 | 8 | PE | yellow |
| BL-ZGLHEX-10-M8-1.25 | 10 | M8 | 8 | PE | yellow |
| BL-ZGLHEX-10-M10-1 | 10 | M10×1 | 10 | PE | yellow |
| BL-ZGLHEX-10-M10-1.5 | 10 | M10 | 10 | PE | yellow |
| BL-ZGLHEX-10-M12-1 | 10 | M12×1 | 10 | PE | yellow |
| BL-ZGLHEX-10-M12-1.5 | 10 | M12×1.5 | 10 | PE | yellow |
| BL-ZGLHEX-10-M12-1.75 | 10 | M12 | 10 | PE | yellow |
| BL-ZGLHEX-13-M5-0.8 | 13 | M5×0.8 | 8 | PE | yellow |
| BL-ZGLHEX-13-M6-0.75 | 13 | M6 | 8 | PE | yellow |
| BL-ZGLHEX-13-M6-1 | 13 | M6×1 | 8 | PE | yellow |
| BL-ZGLHEX-13-M8-1 | 13 | M8×1 | 8 | PE | yellow |
| BL-ZGLHEX-13-M8-1.25 | 13 | M8 | 8 | PE | yellow |
| BL-ZGLHEX-13-M10-1 | 13 | M10×1 | 10 | PE | yellow |
| BL-ZGLHEX-13-M10-1.5 | 13 | M10 | 10 | PE | yellow |
| BL-ZGLHEX-13-M12-1 | 13 | M12×1 | 10 | PE | yellow |
| BL-ZGLHEX-13-M12-1.5 | 13 | M12×1.5 | 10 | PE | yellow |

| Symbol | Wrench size | Ext. thread d | Ext. thread length L | Material | Color |
|-----------------------|-------------|------------------|-------------------------|----------|--------|
| | [mm] | | [mm] | | |
| BL-ZGLHEX-13-M12-1.75 | 13 | M12 | 10 | PE | yellow |