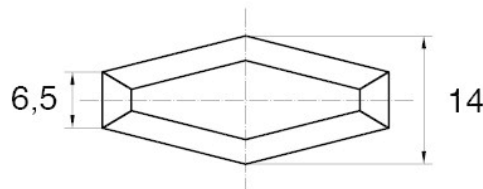
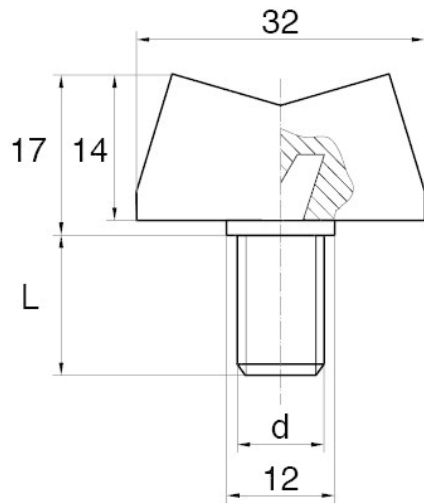


BL-SMM30 - Wing screws



Details:

- **Handle material:** Nylon
- **Stud material:** Zinc-plated steel; Stainless steel or brass available on special order
- **Handle colour:** black; other colours available on special order
- Other lengths available on special order

Symbol	Thread d	Ext. thread length L	Standard pack
		[mm]	[szt./pcs]
BL-SMM30-M6-08	M6	8	5000
BL-SMM30-M6-10	M6	10	5000
BL-SMM30-M6-12	M6	12	5000
BL-SMM30-M6-16	M6	16	5000
BL-SMM30-M6-18	M6	18	5000
BL-SMM30-M6-20	M6	20	5000
BL-SMM30-M6-25	M6	25	5000
BL-SMM30-M6-30	M6	30	5000
BL-SMM30-M6-35	M6	35	5000
BL-SMM30-M6-40	M6	40	5000
BL-SMM30-M6-45	M6	45	5000
BL-SMM30-M6-50	M6	50	5000
BL-SMM30-M8-16	M8	16	5000
BL-SMM30-M8-18	M8	18	5000
BL-SMM30-M8-20	M8	20	5000
BL-SMM30-M8-25	M8	25	5000
BL-SMM30-M8-30	M8	30	5000
BL-SMM30-M8-35	M8	35	5000
BL-SMM30-M8-40	M8	40	5000
BL-SMM30-M8-45	M8	45	5000

Symbol	Thread d	Ext. thread length L	Standard pack
		[mm]	[szt./pcs]
BL-SMM30-M8-50	M8	50	5000
BL-SMM30-M8-60	M8	60	5000