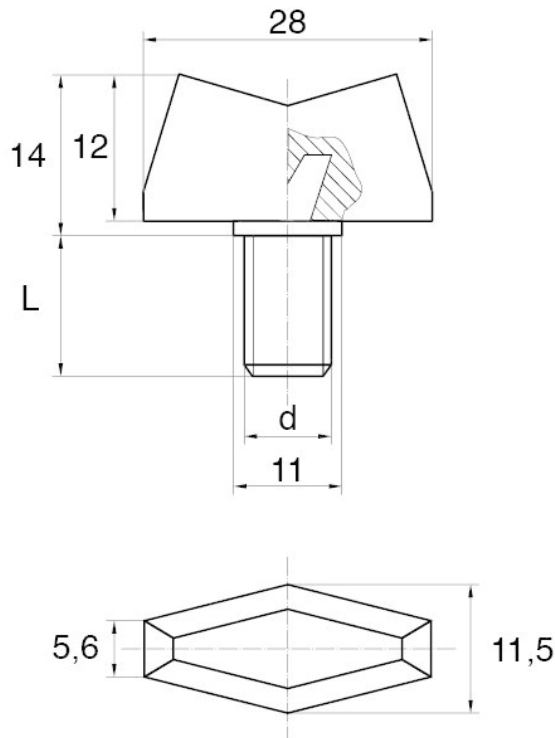


BL-SMM20 - Wing screws



Details:

- **Handle material:** Nylon
- **Stud material:** Zinc-plated steel; Stainless steel or brass available on special order
- **Handle colour:** black; other colours available on special order
- Other lengths available on special order

Symbol	Thread d	Ext. thread length L	Standard pack
		[mm]	[szt./pcs]
BL-SMM20-M4-08	M4	8	2500
BL-SMM20-M4-10	M4	10	2500
BL-SMM20-M4-12	M4	12	2500
BL-SMM20-M4-16	M4	-	2500
BL-SMM20-M4-18	M4	18	2500
BL-SMM20-M4-20	M4	20	2500
BL-SMM20-M4-25	M4	25	2500
BL-SMM20-M4-30	M4	30	2500
BL-SMM20-M5-10	M5	10	2500
BL-SMM20-M5-12	M5	12	2500
BL-SMM20-M5-16	M5	-	2500
BL-SMM20-M5-18	M5	18	2500
BL-SMM20-M5-20	M5	20	2500
BL-SMM20-M5-25	M5	25	2500
BL-SMM20-M5-30	M5	30	2500
BL-SMM20-M5-35	M5	35	2500
BL-SMM20-M5-40	M5	40	2500
BL-SMM20-M6-10	M6	10	2500
BL-SMM20-M6-12	M6	12	2500
BL-SMM20-M6-16	M6	-	2500

Symbol	Thread d	Ext. thread length L	Standard pack
		[mm]	[szt./pcs]
BL-SMM20-M6-18	M6	18	2500
BL-SMM20-M6-20	M6	20	2500
BL-SMM20-M6-25	M6	25	2500
BL-SMM20-M6-30	M6	30	2500
BL-SMM20-M6-35	M6	35	2500
BL-SMM20-M6-40	M6	40	2500
BL-SMM20-M6-50	M6	50	2500