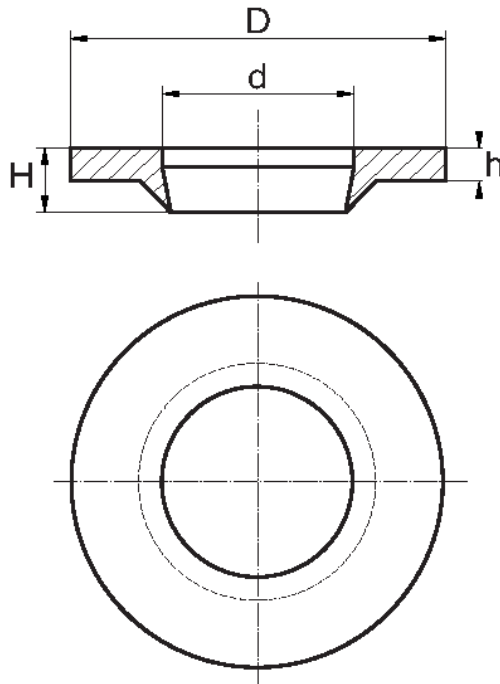


BL-PZPW-3 - Anti-loss washers



Details:

- **Material: Nylon**
- **Color: naturalny**
- Black Nylon, PE, black PE, PP, POM available on special order
- Other colours available on special order

Symbol	For thread	Int. diameter d	Ext. diameter D	h	Height H	Material	Color	Standard pack	Notes
		[mm]	[mm]	[mm]	[mm]			[szt./pcs]	
BL-PZPW-3-M3.5	M3.5	3.6	9.15	1.2	2.7	PA	natural	1000	-
BL-PZPW-3-M4	M4	4.2	9	1.2	3	PA	natural	1000	-
BL-PZPW-3-M5	M5	5	10.1	1.65	3.1	PA	natural	1000	-
BL-PZPW-3-M6	M6	6.3	12.5	1.3	2.75	PA	natural	1000	-
BL-PZPW-3-M8	M8	8.25	16.2	1.65	3.5	PA	natural	1000	-
BL-PZPW-3-M10	M10	10.5	15	2.1	4.3	PA	natural	1000	-
BL-PZPW-3-R1/8	-	10.5	15	2.1	4.3	PA	natural	1000	R 1/8"
BL-PZPW-3-R1/4	-	13.2	18.9	2.6	4.5	PA	natural	500	R 1/4"
BL-PZPW-3-R3/8	-	17.7	23	2.15	4.5	PA	natural	500	R 3/8"
BL-PZPW-3-R1/2	-	21.5	27.6	2.1	4.2	PA	natural	500	R 1/2"
BL-PZPW-3-S3.5	-	3.6	9.15	1.2	2.7	PA	natural	1000	Self tapping screw 3.5 mm
BL-PZPW-3-S4.2	-	4.2	9	1.2	3	PA	natural	1000	Self tapping screw 4.2 mm
BL-PZPW-3-S4.8	-	5	10.1	1.65	3.1	PA	natural	1000	Self tapping screw 4.8 mm