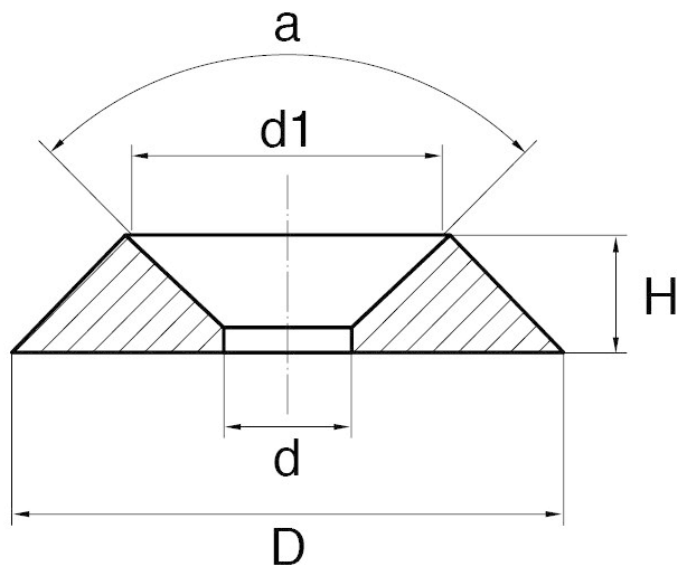


BL-PSLS - Conical finishing washers for countersunk screws



Details:

- **Material: Nylon**
- **Colour: natural (NAT), black (BLK)**
- Standard pack: 1000 pcs

Symbol	For thread	Int. diameter d	d1	Ext. diameter D	Height H	a	Material	Color
		[mm]	[mm]	[mm]	[mm]	[°]		
BL-PSLS-M3	M3	3	6.5	9.2	1.9	90	PA	natural
BL-PSLS-M3-BLK	M3	3	6.5	9.2	1.9	90	PA	black
BL-PSLS-M4	M4	4.3	8	11.9	3	90	PA	natural
BL-PSLS-M4-BLK	M4	4.3	8	11.9	3	90	PA	black
BL-PSLS-M5	M5	5.3	9.8	15.3	3.5	90	PA	natural
BL-PSLS-M5-BLK	M5	5.3	9.8	15.3	3.5	90	PA	black
BL-PSLS-M6	M6	6.3	11.7	17	4.5	90	PA	natural
BL-PSLS-M6-BLK	M6	6.3	11.7	17	4.5	90	PA	black
BL-PSLS-M8	M8	8	14.3	22.3	5.9	90	PA	natural
BL-PSLS-M8-BLK	M8	8	14.3	22.3	5.9	90	PA	black