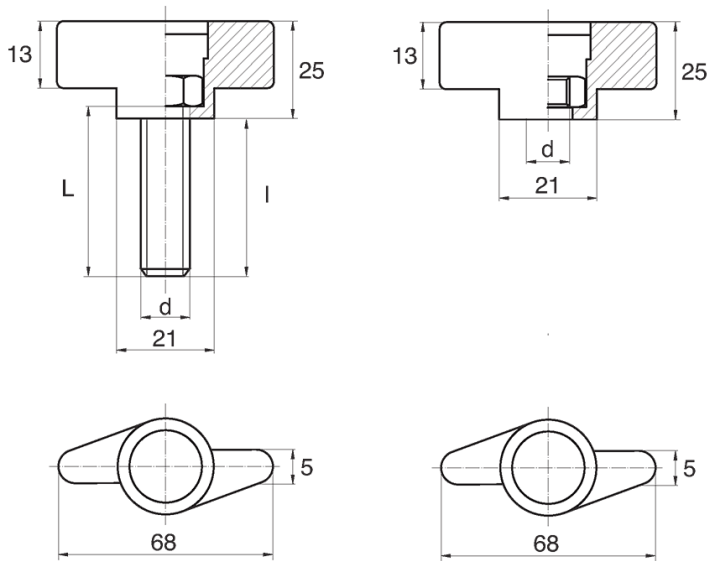


BL-POK258 - Wing grips



Details:

- **Handle material:** Nylon
- **Handle colour:** black; other colours available on special order
- **Thread material:** see table; For type M stainless steel, brass and aluminium available on special order
- **Type:**
 - F - female
 - M - male
- **Standard pack:** 100 pcs

Symbol	Type	Ext. thread d	Int. thread d	Thread material	L	l ±1mm	Material	Color
					[mm]	[mm]		
BL-POK258M-M5-10	M	-	M5	zinc-plated steel	10	5	PA	black
BL-POK258M-M5-12	M	-	M5	zinc-plated steel	12	7	PA	black
BL-POK258M-M5-16	M	-	M5	zinc-plated steel	16	11	PA	black
BL-POK258M-M5-20	M	-	M5	zinc-plated steel	20	15	PA	black
BL-POK258M-M5-25	M	-	M5	zinc-plated steel	25	20	PA	black
BL-POK258M-M5-30	M	-	M5	zinc-plated steel	30	25	PA	black
BL-POK258M-M5-35	M	-	M5	zinc-plated steel	35	30	PA	black
BL-POK258M-M5-40	M	-	M5	zinc-plated steel	40	35	PA	black
BL-POK258M-M5-45	M	-	M5	zinc-plated steel	45	40	PA	black
BL-POK258M-M5-50	M	-	M5	zinc-plated steel	50	45	PA	black
BL-POK258M-M5-60	M	-	M5	zinc-plated steel	60	55	PA	black
BL-POK258M-M5-70	M	-	M5	zinc-plated steel	70	65	PA	black
BL-POK258M-M6-10	M	-	M6	zinc-plated steel	10	5	PA	black
BL-POK258M-M6-12	M	-	M6	zinc-plated steel	12	7	PA	black
BL-POK258M-M6-16	M	-	M6	zinc-plated steel	16	11	PA	black
BL-POK258M-M6-20	M	-	M6	zinc-plated steel	20	15	PA	black
BL-POK258M-M6-25	M	-	M6	zinc-plated steel	25	20	PA	black
BL-POK258M-M6-30	M	-	M6	zinc-plated steel	30	25	PA	black
BL-POK258M-M6-35	M	-	M6	zinc-plated steel	35	30	PA	black
BL-POK258M-M6-40	M	-	M6	zinc-plated steel	40	35	PA	black
BL-POK258M-M6-45	M	-	M6	zinc-plated steel	45	40	PA	black

Symbol	Type	Ext. thread d	Int. thread d	Thread material	L	l ±1mm	Material	Color
					[mm]	[mm]		
BL-POK258M-M6-50	M	-	M6	zinc-plated steel	50	45	PA	black
BL-POK258M-M6-60	M	-	M6	zinc-plated steel	60	55	PA	black
BL-POK258M-M6-70	M	-	M6	zinc-plated steel	70	65	PA	black
BL-POK258M-M6-80	M	-	M6	zinc-plated steel	80	75	PA	black
BL-POK258M-M8-10	M	-	M8	zinc-plated steel	10	5	PA	black
BL-POK258M-M8-12	M	-	M8	zinc-plated steel	12	7	PA	black
BL-POK258M-M8-16	M	-	M8	zinc-plated steel	16	11	PA	black
BL-POK258M-M8-20	M	-	M8	zinc-plated steel	20	15	PA	black
BL-POK258M-M8-25	M	-	M8	zinc-plated steel	25	20	PA	black
BL-POK258M-M8-30	M	-	M8	zinc-plated steel	30	25	PA	black
BL-POK258M-M8-35	M	-	M8	zinc-plated steel	35	30	PA	black
BL-POK258M-M8-40	M	-	M8	zinc-plated steel	40	35	PA	black
BL-POK258M-M8-45	M	-	M8	zinc-plated steel	45	40	PA	black
BL-POK258M-M8-50	M	-	M8	zinc-plated steel	50	45	PA	black
BL-POK258M-M8-60	M	-	M8	zinc-plated steel	60	55	PA	black
BL-POK258M-M8-70	M	-	M8	zinc-plated steel	70	65	PA	black
BL-POK258M-M10-16	M	-	M10	zinc-plated steel	16	11	PA	black
BL-POK258M-M10-20	M	-	M10	zinc-plated steel	20	15	PA	black
BL-POK258M-M10-25	M	-	M10	zinc-plated steel	25	20	PA	black
BL-POK258M-M10-30	M	-	M10	zinc-plated steel	30	25	PA	black
BL-POK258M-M10-35	M	-	M10	zinc-plated steel	35	30	PA	black
BL-POK258M-M10-40	M	-	M10	zinc-plated steel	40	35	PA	black
BL-POK258M-M10-45	M	-	M10	zinc-plated steel	45	40	PA	black
BL-POK258M-M10-50	M	-	M10	zinc-plated steel	50	45	PA	black
BL-POK258M-M10-60	M	-	M10	zinc-plated steel	60	55	PA	black
BL-POK258M-M10-70	M	-	M10	zinc-plated steel	70	65	PA	black
BL-POK258M-M10-80	M	-	M10	zinc-plated steel	80	75	PA	black
BL-POK258F-M5-1	F	M5	-	zinc-plated steel	-	-	PA	black
BL-POK258F-M5-2	F	M5	-	stainless steel	-	-	PA	black
BL-POK258F-M5-3	F	M5	-	brass	-	-	PA	black
BL-POK258F-M5-4	F	M5	-	PA	-	-	PA	black
BL-POK258F-M6-1	F	M6	-	zinc-plated steel	-	-	PA	black
BL-POK258F-M6-2	F	M6	-	stainless steel	-	-	PA	black
BL-POK258F-M6-3	F	M6	-	brass	-	-	PA	black
BL-POK258F-M6-4	F	M6	-	PA	-	-	PA	black
BL-POK258F-M8-1	F	M8	-	zinc-plated steel	-	-	PA	black
BL-POK258F-M8-2	F	M8	-	stainless steel	-	-	PA	black
BL-POK258F-M8-3	F	M8	-	brass	-	-	PA	black
BL-POK258F-M8-4	F	M8	-	PA	-	-	PA	black
BL-POK258F-M10-1	F	M10	-	zinc-plated steel	-	-	PA	black
BL-POK258F-M10-2	F	M10	-	stainless steel	-	-	PA	black
BL-POK258F-M10-3	F	M10	-	brass	-	-	PA	black
BL-POK258F-M10-4	F	M10	-	PA	-	-	PA	black