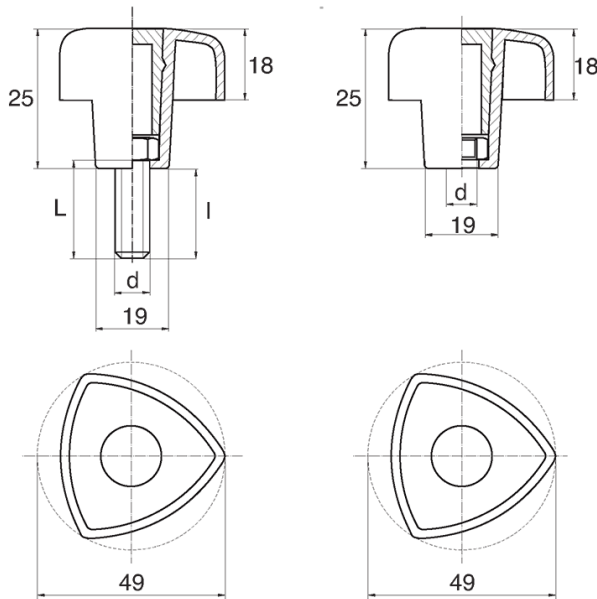


## BL-POK200 - Triangular handwheels



### Details:

- **Handle material:** Nylon
- **Handle colour:** black; other colours available on special order
- **Thread material:** see table; For type M stainless steel, brass and aluminium available on special order
- **Type:**
  - F - female
  - M - male
- **Standard pack:** 100 pcs

Symbol	Type	Ext. thread d	Int. thread d	Thread material	L	l ±1mm	Material	Color
					[mm]	[mm]		
BL-POK200M-M6-10	M	M6	-	zinc-plated steel	10	7	PA	black
BL-POK200M-M6-12	M	M6	-	zinc-plated steel	12	9	PA	black
BL-POK200M-M6-16	M	M6	-	zinc-plated steel	16	13	PA	black
BL-POK200M-M6-20	M	M6	-	zinc-plated steel	20	17	PA	black
BL-POK200M-M6-25	M	M6	-	zinc-plated steel	25	22	PA	black
BL-POK200M-M6-30	M	M6	-	zinc-plated steel	30	27	PA	black
BL-POK200M-M6-35	M	M6	-	zinc-plated steel	35	32	PA	black
BL-POK200M-M6-40	M	M6	-	zinc-plated steel	40	37	PA	black
BL-POK200M-M6-45	M	M6	-	zinc-plated steel	45	42	PA	black
BL-POK200M-M6-50	M	M6	-	zinc-plated steel	50	47	PA	black
BL-POK200M-M6-60	M	M6	-	zinc-plated steel	60	57	PA	black
BL-POK200M-M8-10	M	M8	-	zinc-plated steel	10	6.5	PA	black
BL-POK200M-M8-12	M	M8	-	zinc-plated steel	12	8.5	PA	black
BL-POK200M-M8-16	M	M8	-	zinc-plated steel	16	12.5	PA	black
BL-POK200M-M8-20	M	M8	-	zinc-plated steel	20	16.5	PA	black
BL-POK200M-M8-25	M	M8	-	zinc-plated steel	25	21.5	PA	black
BL-POK200M-M8-30	M	M8	-	zinc-plated steel	30	26.5	PA	black
BL-POK200M-M8-35	M	M8	-	zinc-plated steel	35	31.5	PA	black
BL-POK200M-M8-40	M	M8	-	zinc-plated steel	40	36.5	PA	black
BL-POK200M-M8-45	M	M8	-	zinc-plated steel	45	41.5	PA	black
BL-POK200M-M8-50	M	M8	-	zinc-plated steel	50	46.5	PA	black

Symbol	Type	Ext. thread d	Int. thread d	Thread material	L	l ±1mm	Material	Color
					[mm]	[mm]		
BL-POK200M-M8-60	M	M8	-	zinc-plated steel	60	56.5	PA	black
BL-POK200M-M8-70	M	M8	-	zinc-plated steel	70	66.5	PA	black
BL-POK200M-M8-80	M	M8	-	zinc-plated steel	80	76.5	PA	black
BL-POK200F-M6-1	F	-	M6	zinc-plated steel	-	-	PA	black
BL-POK200F-M6-2	F	-	M6	stainless steel	-	-	PA	black
BL-POK200F-M6-3	F	-	M6	brass	-	-	PA	black
BL-POK200F-M6-4	F	-	M6	PA	-	-	PA	black
BL-POK200F-M8-1	F	-	M8	zinc-plated steel	-	-	PA	black
BL-POK200F-M8-2	F	-	M8	stainless steel	-	-	PA	black
BL-POK200F-M8-3	F	-	M8	brass	-	-	PA	black
BL-POK200F-M8-4	F	-	M8	PA	-	-	PA	black