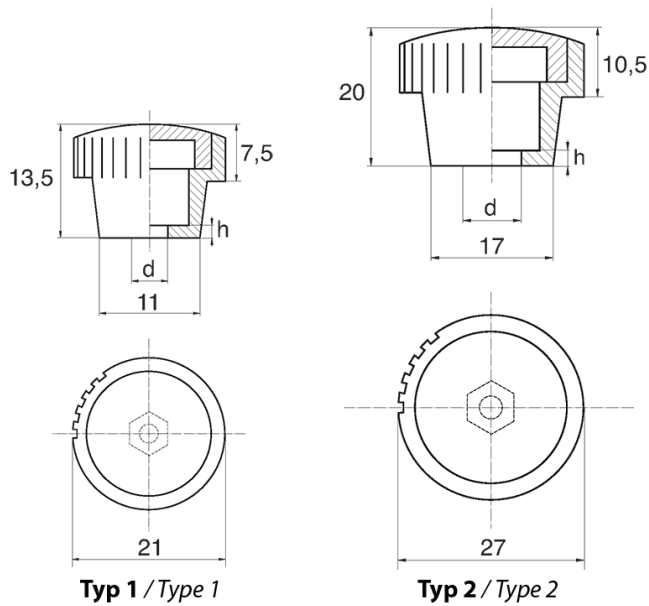


## BL-PO210 - Knurled grips with hexagonal slot



### Details:

- **Material: Nylon**
- **Colour: black**
- White, red, yellow, green, blue, grey and other colours available on special order
- Housing designed for hex head screws or nuts : ISO 4032, DIN 571, DIN 931, DIN 933, DIN 934, DIN 1587, NFE 24-017, NFE 24-032, NFE 27-311, ISO 4017
- Cap included
- Standard pack: 100 pcs

Symbol	Type	Thread d	Wrench size	h	Material	Color
			[mm]	[mm]		
BL-PO210-M4	1	M4	7	2	PA	black
BL-PO210-M5	1	M5	8	2	PA	black
BL-PO270-M5	2	M5	8	2	PA	black
BL-PO270-M6	2	M6	10	2.5	PA	black
BL-PO270-M8	2	M8	13	2.5	PA	black