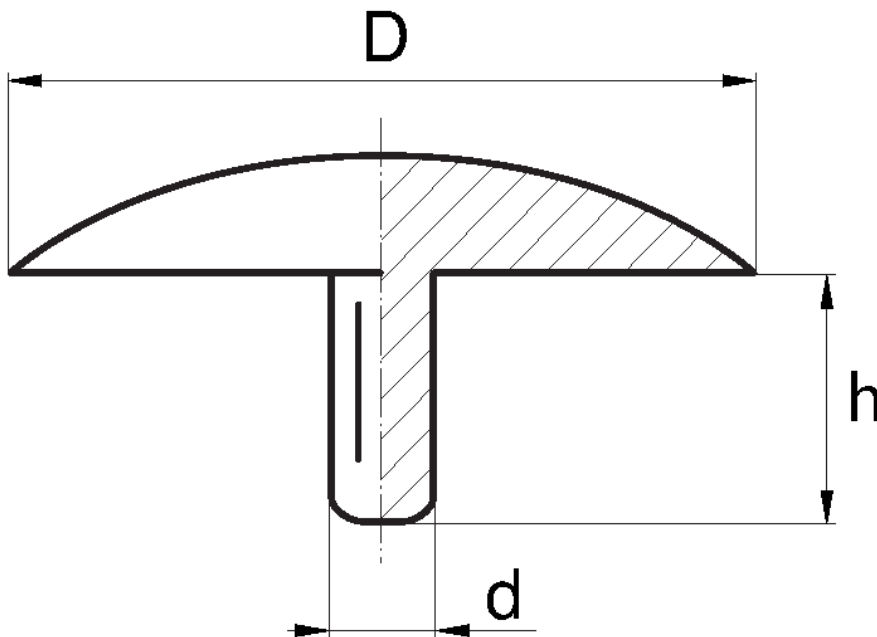


BL-OSI - Allen socket screw caps



Details:

- **Material: LLDPE**
- **Colour: black, white**
- Protects from dirt
- Protects metallic screws from corrosion and deterioration
- Resists weather conditions and most chemicals
- Depending on the mould, the surface of the part can be smooth or dull

Symbol	Diameter d	Head diameter D	h	Material	Color
	[mm]	[mm]	[mm]		
BL-OSI-22-120-50-BK	2.2	12	5	LLDPE	black
BL-OSI-22-120-50-WH	2.2	12	5	LLDPE	white
BL-OSI-24-135-50-BK	2.4	13.5	5	LLDPE	black
BL-OSI-24-135-50-WH	2.4	13.5	5	LLDPE	white
BL-OSI-25-100-50-BK	2.5	10	5	LLDPE	black
BL-OSI-25-100-50-WH	2.5	10	5	LLDPE	white
BL-OSI-25-120-21-BK	2.5	12	2.1	LLDPE	black
BL-OSI-25-120-21-WH	2.5	12	2.1	LLDPE	white
BL-OSI-25-120-50-BK	2.5	12	5	LLDPE	black
BL-OSI-25-120-50-WH	2.5	12	5	LLDPE	white
BL-OSI-25-150-50-BK	2.5	15	5	LLDPE	black
BL-OSI-25-150-50-WH	2.5	15	5	LLDPE	white
BL-OSI-26-120-35-BK	2.6	12	3.5	LLDPE	black
BL-OSI-26-120-35-WH	2.6	12	3.5	LLDPE	white
BL-OSI-28-58-70-BK	2.8	5.8	7	LLDPE	black
BL-OSI-28-58-70-WH	2.8	5.8	7	LLDPE	white
BL-OSI-28-110-48-BK	2.8	11	4.8	LLDPE	black
BL-OSI-28-110-48-WH	2.8	11	4.8	LLDPE	white
BL-OSI-30-120-55-BK	3	12	5.5	LLDPE	black

Symbol	Diameter d	Head diameter D	h	Material	Color
	[mm]	[mm]	[mm]		
BL-OSI-30-120-55-WH	3	12	5.5	LLDPE	white
BL-OSI-30-120-60-BK	3	12	6	LLDPE	black
BL-OSI-30-120-60-WH	3	12	6	LLDPE	white
BL-OSI-30-150-70-BK	3	15	7	LLDPE	black
BL-OSI-30-150-70-WH	3	15	7	LLDPE	white
BL-OSI-30-180-90-BK	3	18	9	LLDPE	black
BL-OSI-30-180-90-WH	3	18	9	LLDPE	white
BL-OSI-36-150-25-BK	3.6	15	2.5	LLDPE	black
BL-OSI-36-150-25-WH	3.6	15	2.5	LLDPE	white