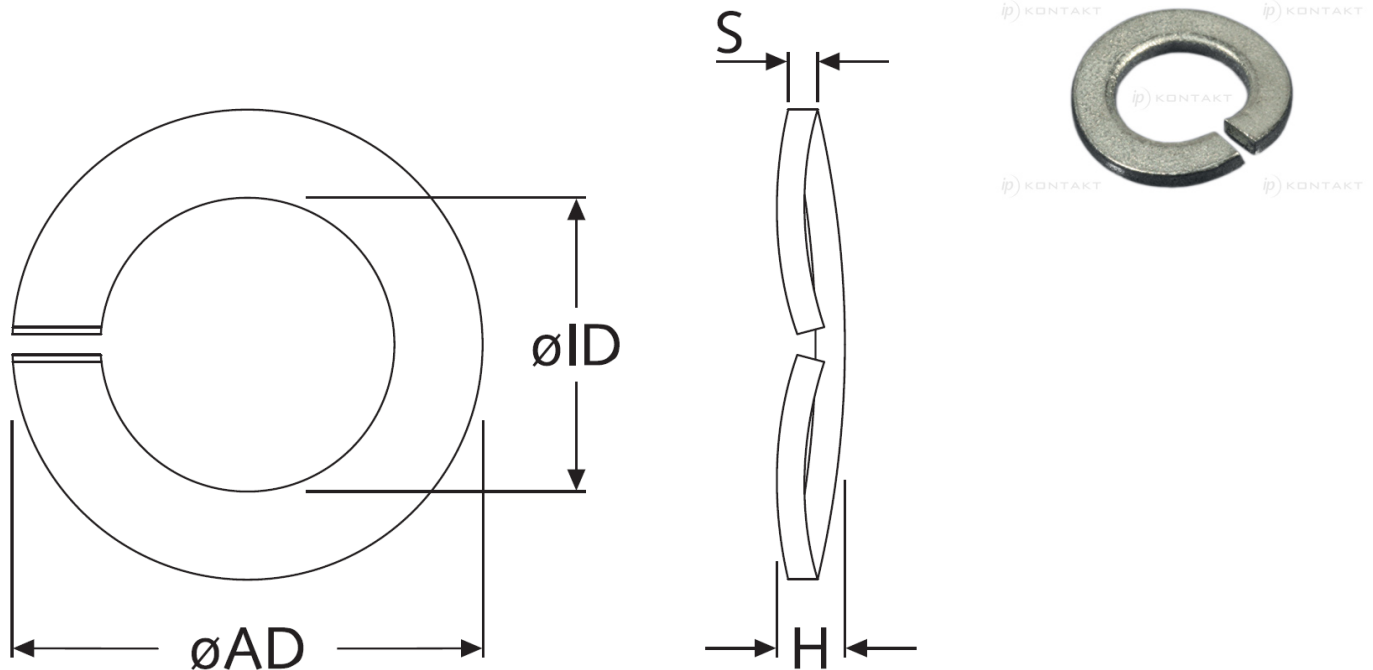


AR-POS128A - Metalowe podkładki sprężynujące



Details:

- Material: see table

Symbol	For thread	Int. diameter $\varnothing ID$	Ext. diameter $\varnothing AD$	Height H max.	S	Material
		[mm]	[mm]	[mm]	[mm]	
AR-POS128A-21283	M2	2.1	4.4	0.9	0.5	zinc-plated steel
AR-POS128A-21291	M2	2.1	4.4	0.9	0.5	stainless steel A2
AR-POS128A-21284	M2.5	2.6	5.1	1.1	0.6	zinc-plated steel
AR-POS128A-21292	M2.5	2.6	5.1	1.1	0.6	stainless steel A2
AR-POS128A-21285	M3	3.1	6.2	1.3	0.7	zinc-plated steel
AR-POS128A-21293	M3	3.1	6.2	1.3	0.7	stainless steel A2
AR-POS128A-21286	M4	4.1	7.6	1.4	0.8	zinc-plated steel
AR-POS128A-21294	M4	4.1	7.6	1.4	0.8	stainless steel A2
AR-POS128A-21287	M5	5.1	9.2	1.7	1	zinc-plated steel
AR-POS128A-21295	M5	5.1	9.2	1.7	1	stainless steel A2
AR-POS128A-21288	M6	6.1	11.8	2.2	1.3	zinc-plated steel
AR-POS128A-21296	M6	6.1	11.8	2.2	1.3	stainless steel A2
AR-POS128A-21289	M8	8.1	14.8	2.8	1.6	zinc-plated steel
AR-POS128A-21297	M8	8.1	14.8	2.8	1.6	stainless steel A2
AR-POS128A-21290	M10	10.2	18.1	3.2	1.8	zinc-plated steel
AR-POS128A-21298	M10	10.2	18.1	3.2	1.8	stainless steel A2